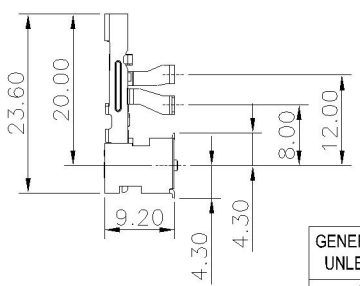
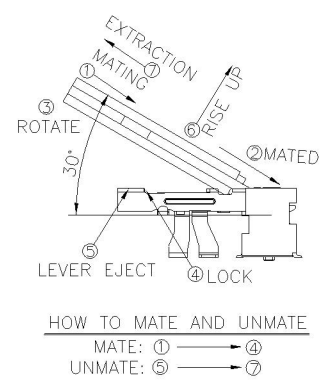
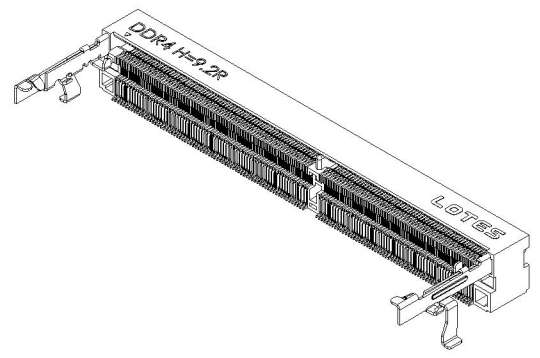
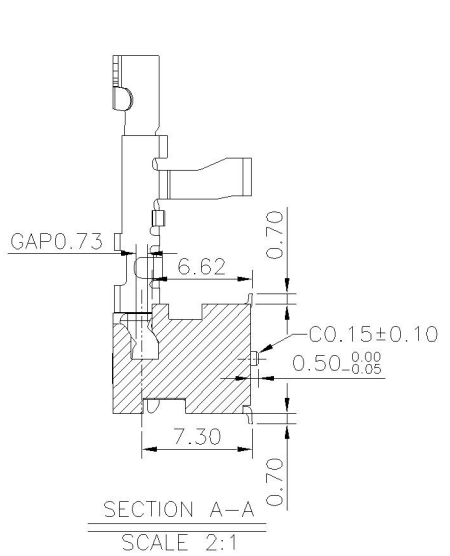


REV.	ECR/N NO./DESCRIPTION	DATE	DRAWN	CHECKED	APPROVE
J	RD14011	06/09'15	XU	Vito	Barney
K	RD14011	09/09'15	XU	Vito	Barney
L	RD14011	11/10'15	XU	Vito	Barney



GENERAL TOLERANCES UNLESS SPECIFIED		DWG NO.	深圳市连欣科技有限公司		
$X \pm 0.35$	$X^\circ \pm 3^\circ$	AP-ADDR0111			
$.XX \pm 0.25$	$.X^\circ \pm 2^\circ$	APPROVED BY	TITLE		
$.XXX \pm 0.15$	$.XX^\circ \pm 1^\circ$	Barney	SODDR4 9.2H 260 PIN RVS TYPE		
CUSTOMER DRAWING		CHECKED BY	PART NO.		
		Vito	ADDR0111-P001A		
SIZE	UNITS	DRAWN BY	SHEET	SCALE	REV
A4	MM[INCH]	XU			

NOTES:
 1. MATERIALS:
 HOUSING: LCP, UL 94V-0.
 CONTACT: BRASS C2680.
 LATCH: STAINLESS STEEL SUS301.

2. FINISH:
 1) CONTACT: UNDERPLATED NICKEL 50~150u",
 PLATING ON SOLDER AREA: SEE TABLE

2) LATCH: UNDERPLATED NICKEL 50~150u", MATTE TIN 80u" MIN.
 GOLD PLATING ON CONTACT AREA: SEE TABLE

3. ELECTRICAL PERFORMANCE
 LLCR INITIAL 50mΩ MAX PER CONTACT.
 FINAL ΔLLCR=20mΩ MAX

4. MECHANICAL PERFORMANCE,
 MATING & UNMATING FORCE: 6.1 Kgf MAX.
 5. IR REFLOW:

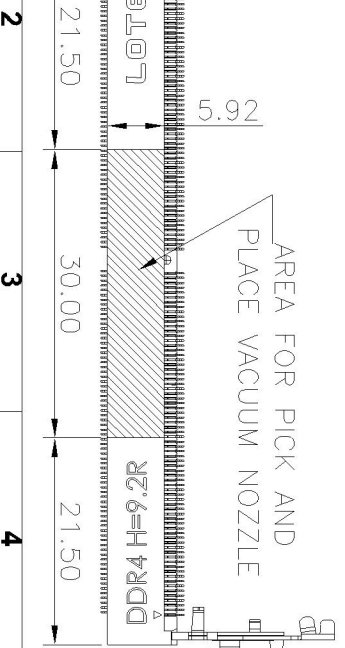
THE PEAK TEMPERATURE ON THE BOARD SHALL BE
 MAINTAINED FOR 10 SECONDS AT 260±5°C.

6. DC: XXXXXX
 DATE
 WEEK
 YEAR

TABLE:

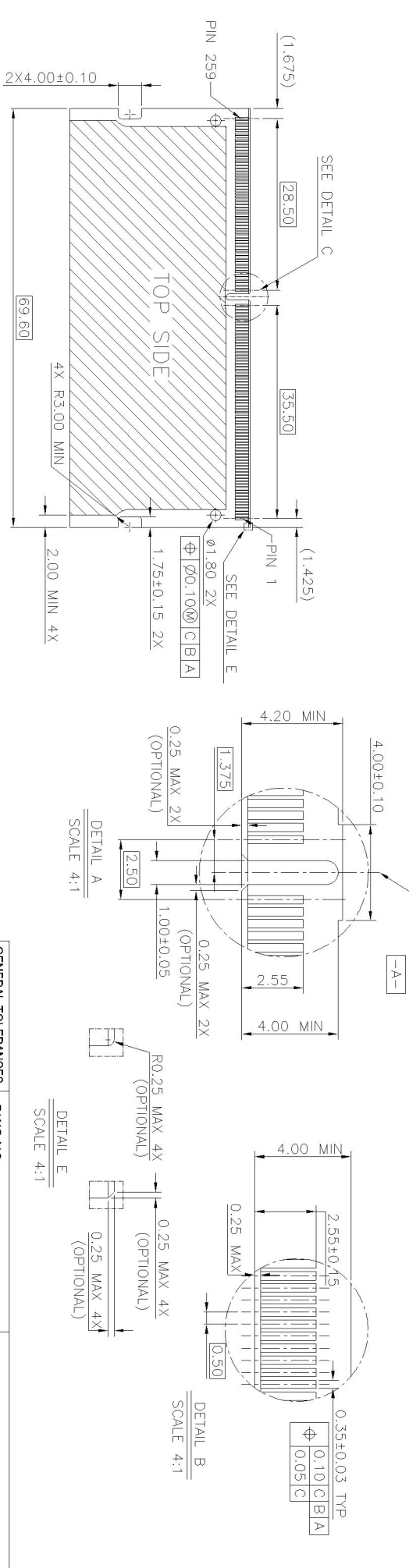
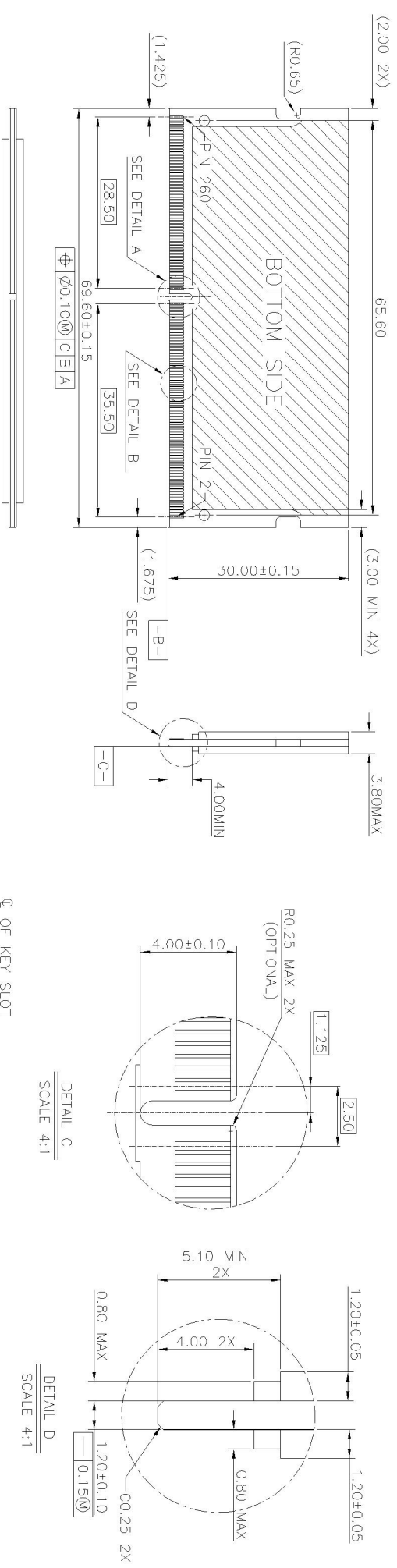
NO.	PART NO.	COLOR	DESCRIPTION
1	ADDR0111-P001A	BLACK	GOLD G/F ON CONTACT AREA MATTE TIN ON SOLDER AREA

8. RoHS COMPLIANT.
 HF COMPLIANT.



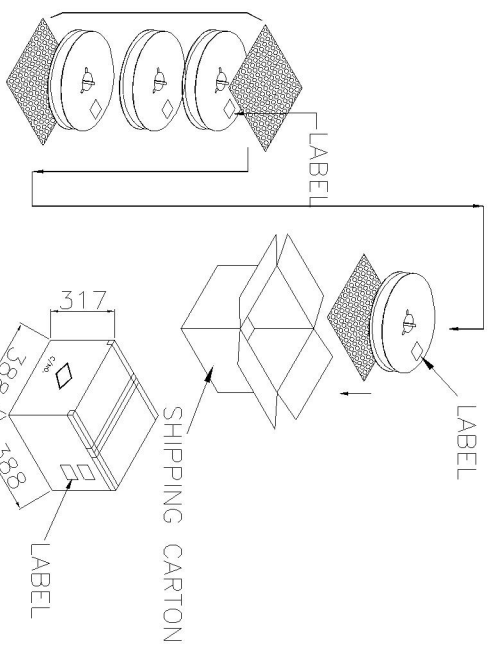
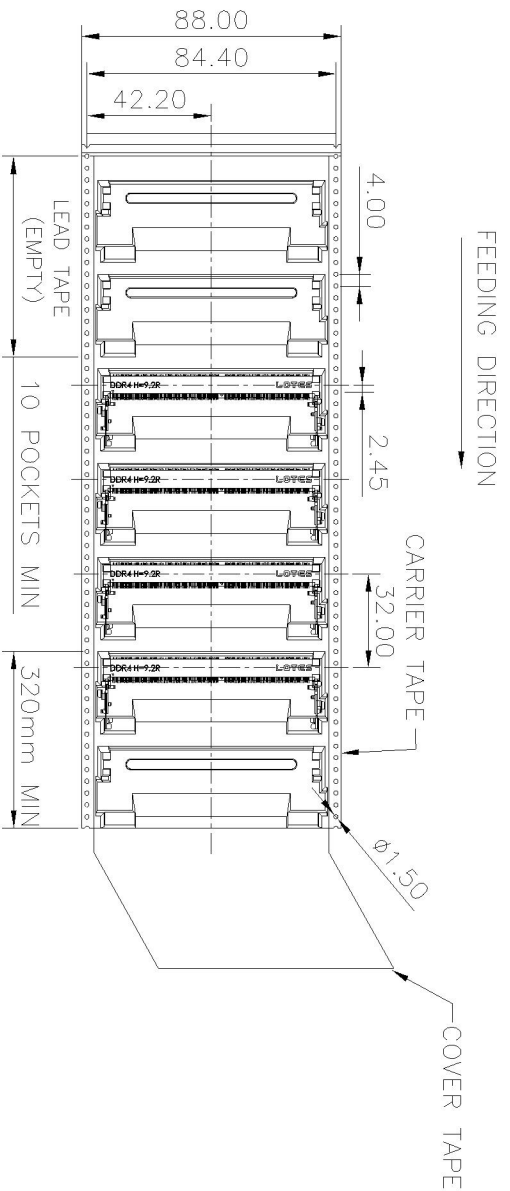
GENERAL TOLERANCES UNLESS SPECIFIED		DWG NO.	深圳市连欣科技有限公司	
X ± 0.35	X° ± 3°	AP-ADDR0111	TITLE	ADDR0111-P001A
.XX ± 0.25	.X° ± 2°	APPROVED BY	SODDR4 9.2H 260 PIN RVS TYPE	
.XXX ± 0.15	.XX° ± 1°	Barney	CHECKED BY	Vito
CUSTOMER DRAWING		DRAWN BY	XU	
SIZE	UNITS			
A4	MM [INCH]			

PART NO.	SHEET	SCALE	REV
ADDR0111-P001A	2 / 5	5 : 4	L

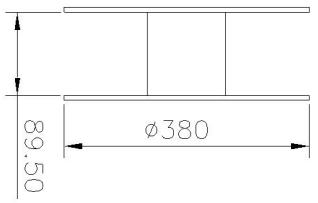
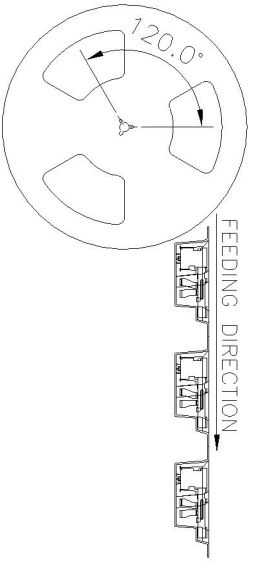


- NOTES:
1. TOLERANCE ON ALL DIMENSIONS ±0.15 UNLESS OTHERWISE SPECIFIED;
 2. PCB THICKNESS APPLIES ACROSS TABS AND INCLUDES PLATING AND/OR METALIZATION;
 3. FINISH OF PAD: Au PLATING 30u" min OVER NI PLATING 80u" min;
 4. NO BURR;
 5. CHAMFER 0.25mm max. X 45° IF EXIST.

GENERAL TOLERANCES UNLESS SPECIFIED		DWG NO.		TITLE	
X ± 0.35	X° ± 3°	AP-ADDR0111		深圳市连欣科技有限公司	
.XX ± 0.25	X° ± 2°	APPROVED BY		Barney	
.XXX ± 0.15	.XX° ± 1°	CHECKED BY		Vio	
CUSTOMER DRAWING		DRAWN BY		XU	
SIZE	UNITS	PART NO.		ADDR0111-P001A	
A4	MM [INCH]	SHEET		4 / 5	
		SCALE		1 : 1	
		REV		L	



- NOTES:
- MATERIAL :
 - CARRY TAPE: PS
 - COVER TAPE: PET
 - SHIPPING CARTON: CORRUGATED FIBER
 - DIMENSION :
 - REEL: W=88.0, $\phi A=380$
 - SHIPPING CARTON: L=388, W=388, H=317 (INNER)
 - QUANTITY :
 - PRIMARY PACKING: 220 PCS/REEL
 - SECONDARY PACKING: 3 REELS/CARTON(660PCS)
 - PEELING RESISTANCE: 20gf~120gf.
 - PEELING SPEED: 300mm/minutes.



GENERAL TOLERANCES UNLESS SPECIFIED		DWG NO.	深圳市连欣科技有限公司	
X ± 0.35	X ± 3°	AP-ADDR0111		
.XX ± 0.25	X ± 2°	APPROVED BY	TITLE	
XXX ± 0.15	.XX ± 1°	Barney	SODDR4 9.2H 260 PIN RVS TYPE	

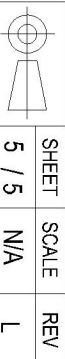
CUSTOMER DRAWING		CHECKED BY	PART NO.	
Vito		ADDR0111-P001A		
SIZE	UNITS	DRAWN BY		
A4	MM	XU		
		SHEET		SCALE
		5 / 5		N/A
				REV
				L

AP-ADDR0111

深圳市连欣科技有限公司

SODDR4 9.2H 260 PIN RVS TYPE

ADDR0111-P001A



SHEET 5 / 5
SCALE N/A
REV L