

REV.	DESCRIPTION	CHANGED	ECN/NO.	DATE
A0	NEW ISSUE			2012/8/17

NOTE:

1.MATERIAL:

- 1.1 HOUSING: LCP, UL 94V-0
COLOR: BLACK.
- 1.2 CONTACT: COPPER ALLOY, T=0.20mm.
- 1.3 SHIELD: COPPER ALLOY, T=0.40mm.

2.FINISH:

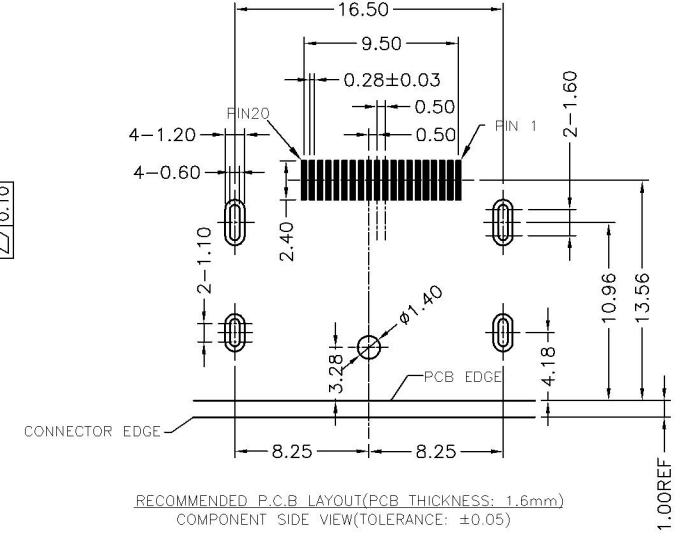
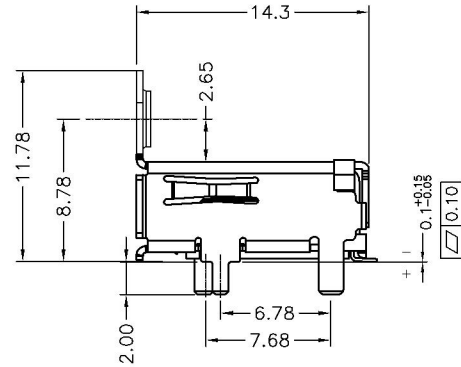
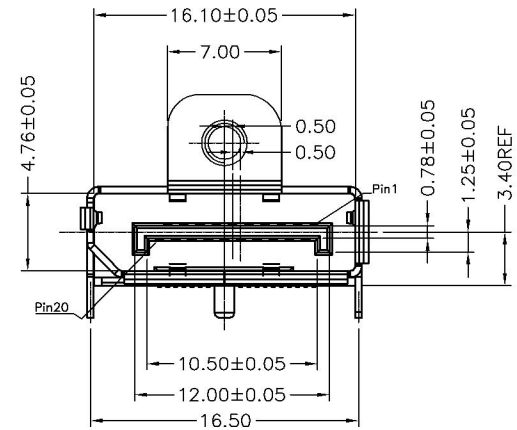
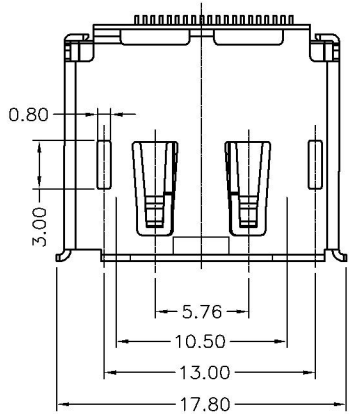
- 2.1 CONTACT: GOLD (1U") PLATING IN CONTACT AREA,
80u"MIN MATTE TIN PLATED IN SOLDER AREA,
30u" MIN. NICKEL UNDERPLATED OVERALL.
- 2.2 SHIELD: 50u" MIN. NICKEL UNDERPLATED OVERALL.

3.MECHANICAL CHARACTERISTICS

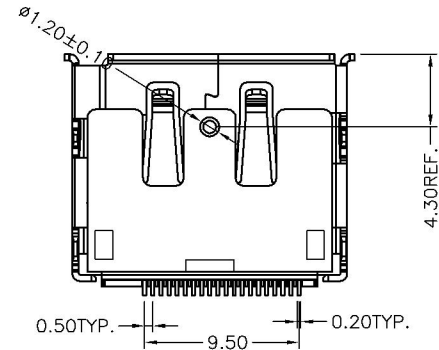
- 3.1 RATING CURRENT: 0.5A
- 3.2 RATING VOLTAGE: 40V
- 3.3 CONTACT RESISTANCE: 40 mΩ MAX
- 3.4 INSULATION RESISTANCE:
 - a, UNMATED: 100MΩ MIN AT 500 VDC
 - b, MATED: 10M OHMS MIN AT 150 VDC
- 3.5 DIELECTRIC WITHSTANDING VOLTAGE: 500V AC/1MINUTE
- 3.6 DURABILITY: 10000 CYCLES.
- 3.7 OPERATING TEMPERATURE: -40°C--+85°C
- 3.8 STORAGE TEMPERATURE: -40°C--+65°C

4. NOTES:

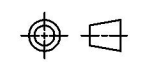
- 4.1 ALL COMPONENTS ARE RoHS COMPLIANT.
- 4.2 RESISTANCE TO SOLDERING HEAT: 265°C FOR 10 SECONDS.



RECOMMENDED P.C.B LAYOUT(PCB THICKNESS: 1.6mm)
COMPONENT SIDE VIEW(TOLERANCE: ±0.05)



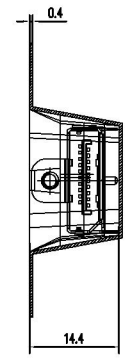
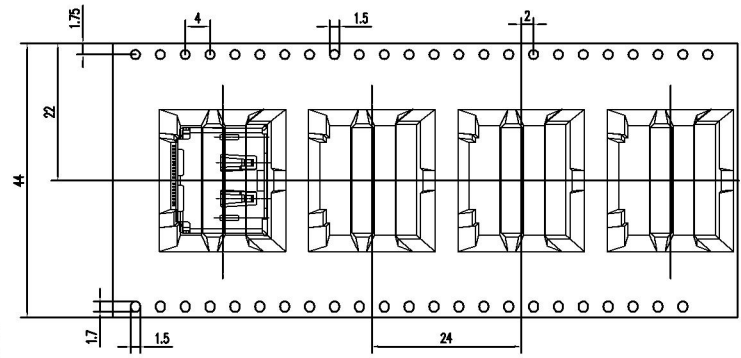
深圳市连欣科技有限公司



公差参考表			产品名称		DISPLAY PORT 20P FEMALE SMT外壳插板带螺丝孔2.65			
X	±0.35	ANGLE	产品编号		XDPF-0206-20S08			
X.X	±0.25	X°	±2°	模具图号	版本	A0	单位	MM
X.XX	±0.15	X.X°	±1.0°	审核	单重		比例	
X.XXX	±0.050	X.XX°	±0.50°	制图	胡志凤	类型	页数	1/2

REV.	DESCRIPTION	CHANGED	ECN/NO.	DATE
A0	NEW ISSUE			2012/8/17

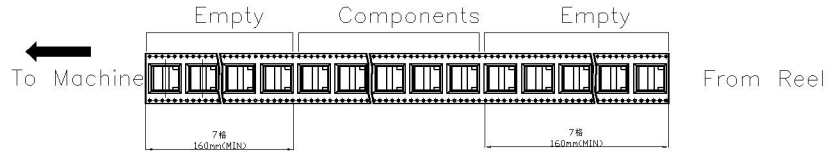
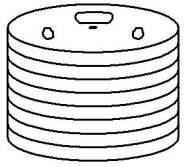
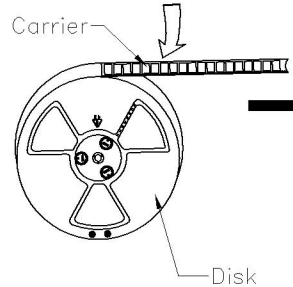
客户出料方向



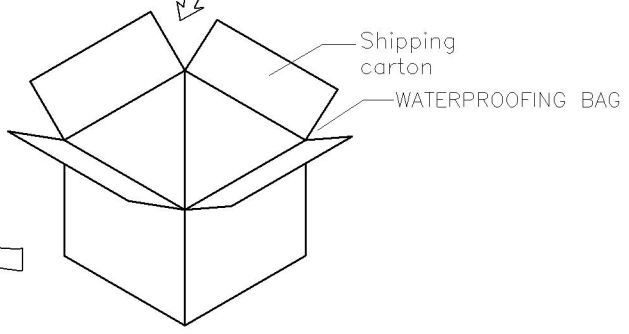
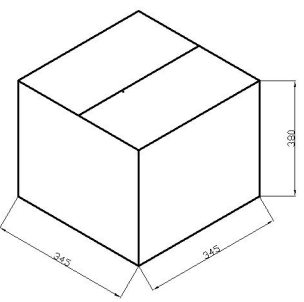
NOTES:

- 1.Material:
 - 1.1 Carrier:Black Anti-Static Polystyrene.
 - 1.2 Shipping carton:corrugated fiberboard
- 2.Dimension:
 - 2.1 Carrier: Thickness:0.5±0.05mm.
 - 2.2 Disk: Diameter ø330mm.
- 3.Quantity:
 - 3.1 Primary packing:190 PCS/Disk
 - 3.2 Secondary packing:7Disk(1330PCS).

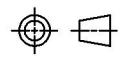
13" reel load per carton: 7 disk(1330PCS).



USER DIRECTION FO FEED



深圳市连欣科技有限公司



公差参考表			产品名称	DISPLAY PORT 20P FEMALE SMT外壳插板带螺丝孔2.65 REEL			
X	±0.35	ANGLE	产品编号	XDPF-0206-20S08			
X.X	±0.25	X° ±2°	模具图号	版本	A0	单位	MM
X.XX	±0.15	X.X° ±1.0°	审核	单重		比例	
X.XXX	±0.050	X.XX° ±0.50°	制图	胡志凤	类型	页数	2/2