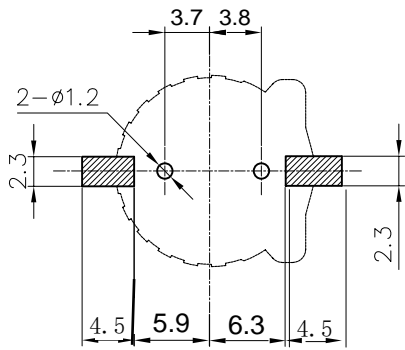
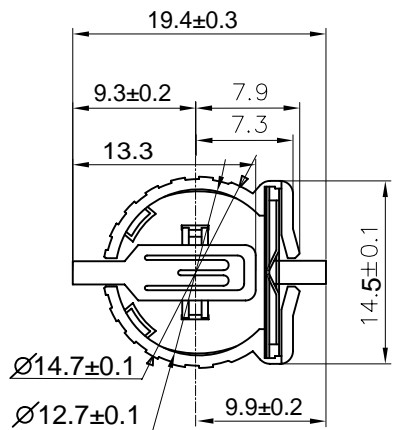
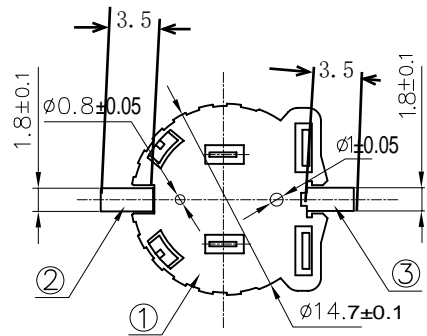
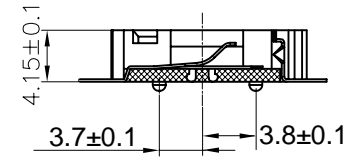


REV.	MATTER	APP.	DATE
A			

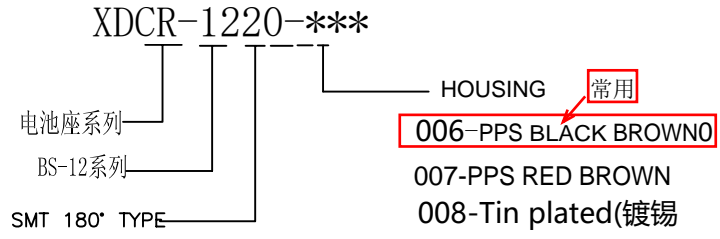


PCB Holes Diagram
xqc; Top View



NOTE:
 1.MATERIAL:
 a.HOUSING:THERMOPLASTIC GLASS FIBRE UL94V-0
 b.CONTACT:PHOSPHOR BRONZE
 (SURFACE PLATING:A*u")
 SEE ORDERING INFORMATION
 2.ELECTRIC:
 a.CONTACT RESISTANCE: 30 MILLIOHMS MAX
 b.INSULATION RESISTANCE: 1000 MEGA OHMS MIN
 c.DIELECTNIC VOLTAGE: 750V AC ONE SEC LEVEL
 d.OPERATING TEMPERATURE: -55°C~ +85°C

ORDERING INFORMATION



TOLERANCE		Tolerance: Unless otherwise specified			
LINEAR ANGLE x. ±1 x.' ±5' .x ±0.38 .x' ±2' .xx ±0.25 .xx' ±1' .xxx ±0.10 .xxx' ±1'	3	TERMINAL-2	PHOSPHOR BRONZE	Au-Plated	
	2	TERMINAL-1	PHOSPHOR BRONZE	Au-Plated	
	1	HOUSING	PPS	BROWN	
	NO.	PART NAME	MATERIAL	COLOR/FINISHED	

日期 DATE	单位 UNITS	审核 CHECK	PART NO:
2023. 12. 25	mm		XDCR-1220-006/007/008
比例 SCALE	制图 DRAW	设计 DESIGN	TITLE:
1/1			BS-CR1220 贴片2脚电池座子