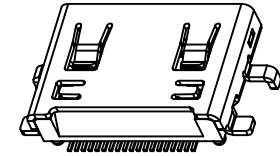
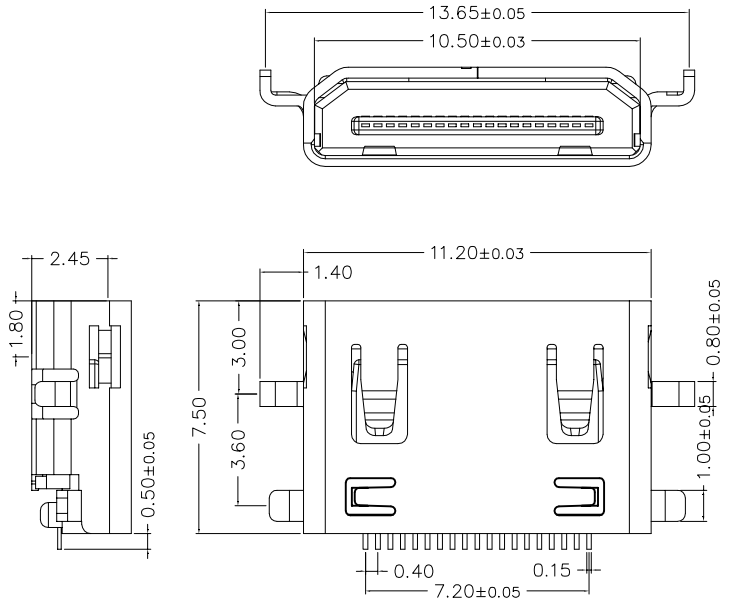
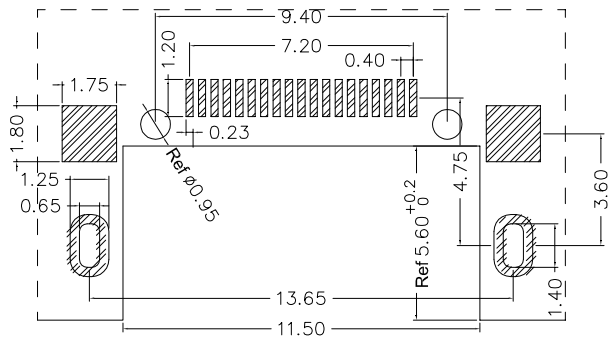
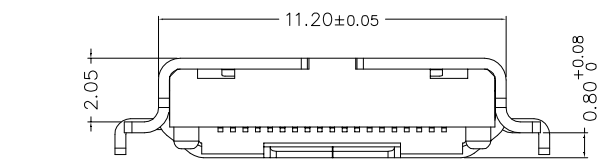
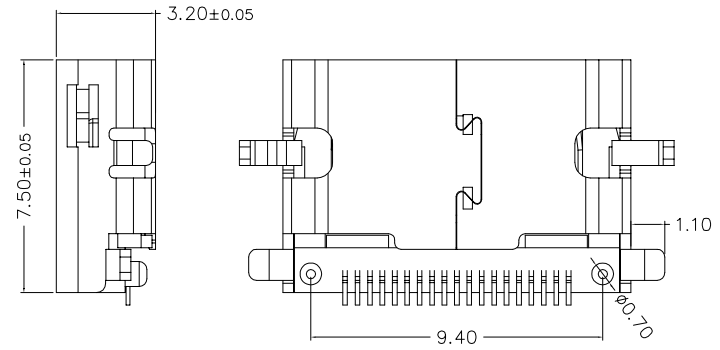


* 所有原料材质, 生产制程, 电镀必须符合ROHS要求



3D VIEW



SPECIFICATION:

- 1.MATING FORCE:44.1N MAX
- 2.UNMATING FORCE:7-25N
- 3.DURABILITY: 5000 CYCLES MIN
- 4.CURRENT:0.5A
- 5.VOLTAGE:40V MAX
- 6.WITHSTANDING VOLTAGE:500V AC MIN.(UNMATED)
- 7.CONTACT RESISTANCE:30MN MAX.
- 8.INSULATION RESISTANCE:100MN MIN.(UNMATED)
- 9.OPERATING TEMPERATURE RANGE:-20.C TO +85.C
- 10.ALL THE MATERIAL SHOULD COMPLY WITH THE ROHS REQUIREMENT.

Type C pin	Signal Name
1	TMDS Data2_Shield
2	TMDS Data2+
3	TMDS Data2-
4	TMDS Data1_Shield
5	TMDS Data1+
6	TMDS Data1-
7	TMDS Data0_Shield
8	TMDS Data0+
9	TMDS Data0-
10	TMDS Clock_Shield
11	TMDS Clock+
12	TMDS Clock-
13	DDC/CEC Ground
14	CEC
15	SCL
16	SDA
17	Utility
18	+5V Power
19	Hot Plug Detect

深圳市连欣科技有限公司

DIMENSIONS INIT: mm UNLESS OTHERWISE SPECIFIABLE DIMENSION TOLERANCE X.X: ± 0.25 X.XX: ± 0.10 X.XXX: ± 0.05 ANGULAR: ± 1°	PRODUCT NAME : MINI-HDMI 18Pin C TYPE沉板0.80前插后贴SMD B版	DRAWING: 朱新华	DATE: 2009/12/10
	PRODUCT NO. : XDHF-1902-0681B	CHECK: JEFF	DATE: 2009/12/10
	DRAWING NO. : LX009-19Q8B	APPROVED: JACK	DATE: 2009/12/10
	SCALE: 1:1	DWG ID: P D	REV.: A

REVISION NO.	ECR NO.	DESCRIPTION	MARK	DATE
1				
2				

由 Autodesk 教育版产品制作

由 Autodesk 教育版产品制作