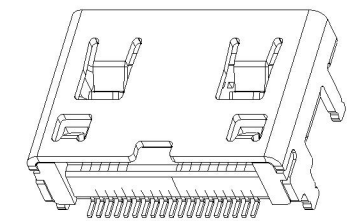
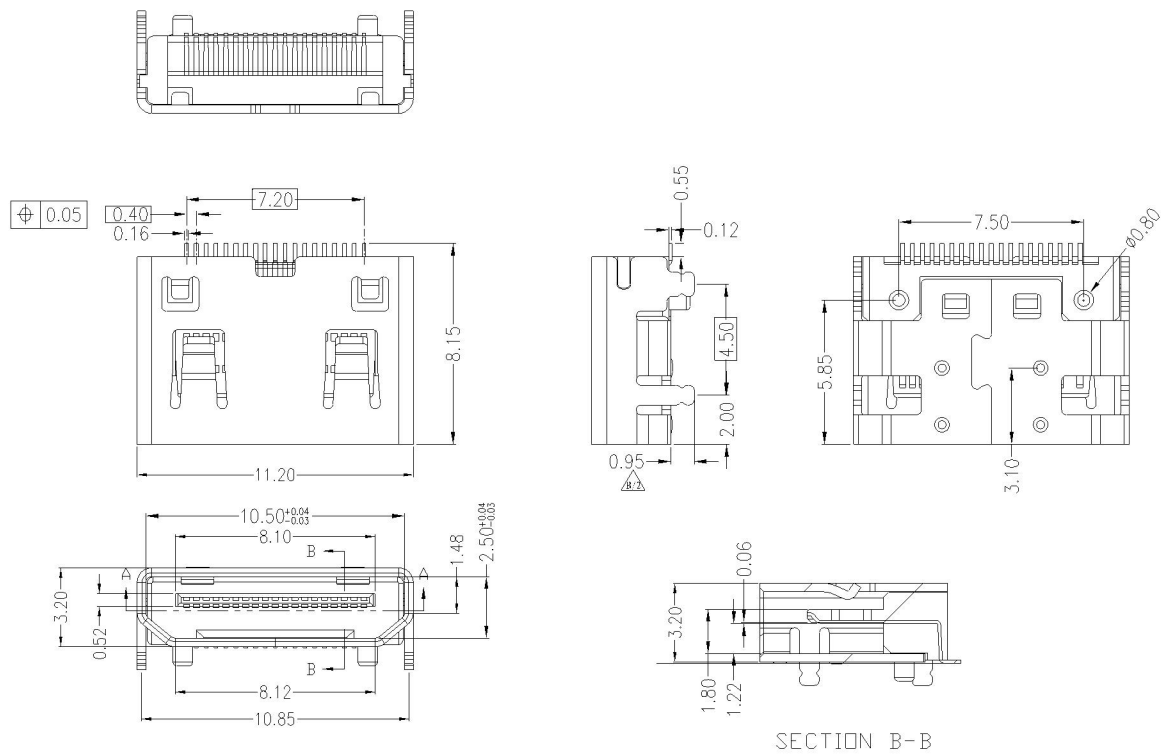


REV.	DESCRIPTION	APPD	DATE
△	外壳脚1.15改为0.95	刘静	20110308



- NOTES:
- MATERIAL:  
HOUSING: HIGH TEMPERATURE THERMOPLASTIC UL94V\_0,COLOR:BLACK.  
CONTACT: COPPER ALLOYS.  
COVER: COPPER ALLOYS OR STEEL.
  - PLATING:  
UNDERPLATE: NICKEL.  
CONTACT AREA: GOLD OVER NICKEL.  
SOLDER AREA: GOLD OVER NICKEL.
  - MULTIMEDIA CARD COMPATIBLE



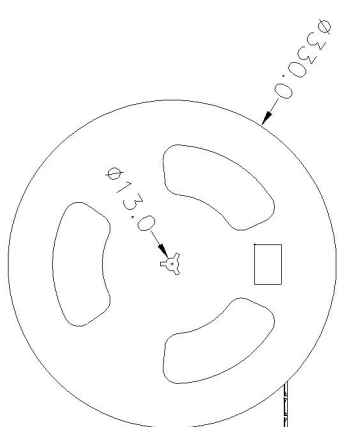
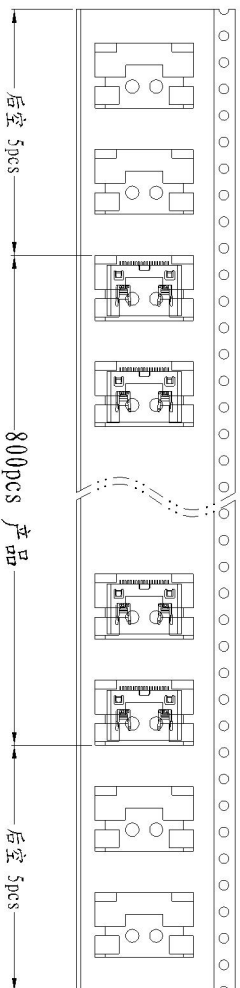
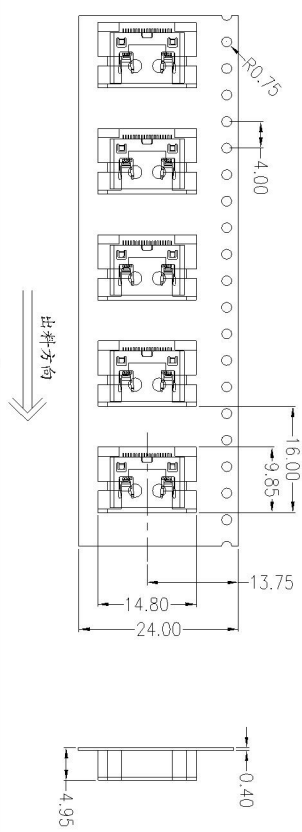
SECTION B-B

SECTION A-A

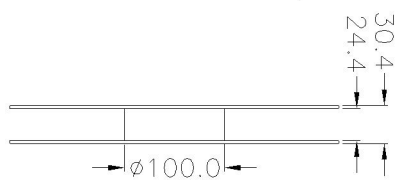
RECOMMENDED P.C.B HOLE LAYOUT  
COMPONENT SIDE VIEW(TOLERANCE: +/-0.05)

DWG NO: FP-100064		MATERIAL:		深圳市连欣科技有限公司	
LOT NO:		FINSH:			
UNIT: MM	SIZE: A4	COLOR:		TITLE:	
TOLERANCES: X.X=±0.35 X.XX=±0.25 X.XXX=±0.15		GENERAL ANGLE: X.X=±3.0° X.XX=±2.0°		MINI HDMI ( C TYPE ) F	
DR: PENTIUM 0408'10		CHK:		PART NO: XDHF-1903-1064	REV:
APP:		SCALE: 1 : 1	SHEET: 1 OF 2		

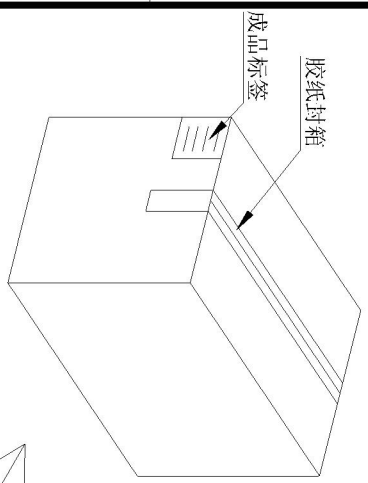
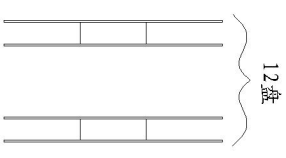
REV.	DESCRIPTION	APPD	DATE



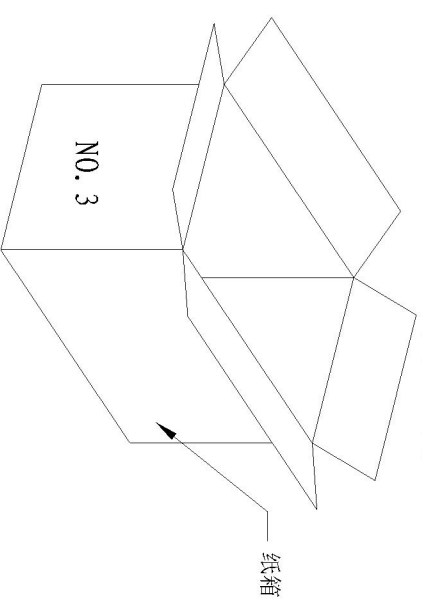
NO. 2



NO. 1



纸箱规格: 330\*330\*385  
NO. 4



1. 材质要求:
- 1.1 纸箱的材质为B=B; 外形尺寸为33\*33\*38.5;
  - 1.2 卷盘的材质为PVC, 卷盘的外形尺寸为 $\varnothing$ 330\*30.4;
  - 1.3 卷带的材质为PVC, 卷带的外形尺寸为12960\*24\*4, 0mm;
2. 包装方式:
- 2.1 将卷带放入包装机后, 前空5PCS, 后放产品800PCS, 再后空5PCS, 上带留300MM长度。
  - 2.2 将包装好的产品从包装机上取下并包装好;
  - 2.3 把累叠好的12盘叠放入纸箱中共计9.6Kset 整箱重4.8KG
  - 2.4 把包装好的成品打包封箱, 并在纸箱外贴上标签

DWG NO: FP-100064		MATERIAL:	
LOT NO:		FINISH:	
UNIT: MM	SIZE: A4	COLOR:	
TOLERANCES:		DR: PENTTIUM 0408*10	
X.X=±0.35	GENERAL ANGLE:	CHK:	
X.XX=±0.25	XY=±3.0'	PART NO: XDHF-1903-1064	
X.XXX=±0.15	XXX=±2.0'	SCALE: 1:1	
APP:		SHEET: 1 OF 2	
<p><b>深圳市连欣科技有限公司</b></p> <p>TITLE: MINI HDMI ( C TYPE ) F</p>			
REV:			REV: