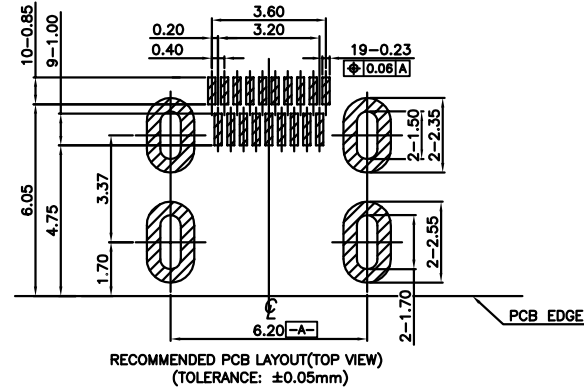
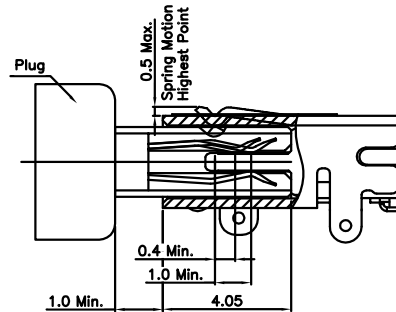
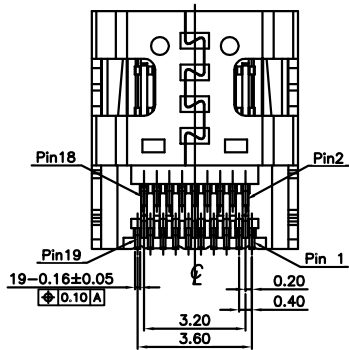
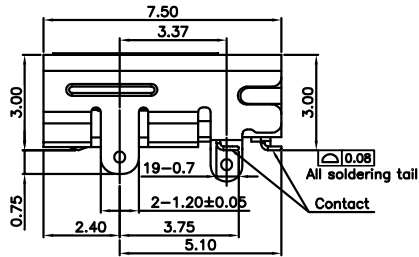
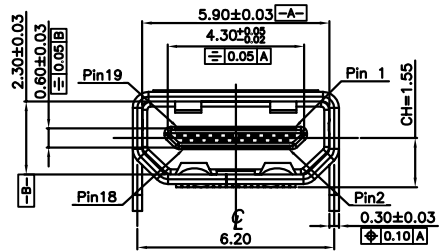
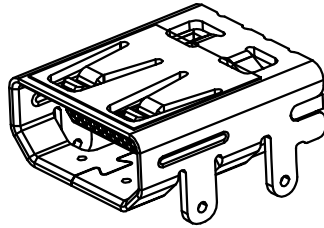
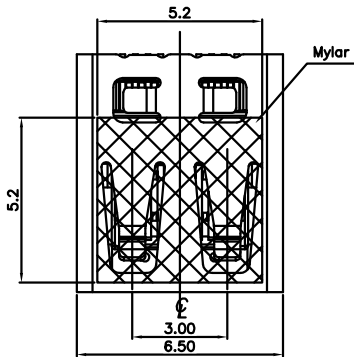


CUSTOMER DRAWING

Notes:

1. Materials
 - a. Housing: LCP+30% G/F, Black, UL94 V-0;
 - b. Contact: Phosphor Copper (C5191), Gold Plating at mating area, Matte Tin or Au Plating at solder tail, all over Nickel;
 - c. Shell: Phosphor Copper (C5191);
2. Ratings
 - a. Current Rating: 0.3A ;
 - b. Operating Temperature: -40°C ~ 85°C;
3. Electrical Requirement:
 - a. LLCR: Excluding Conductor Resistance 10mΩ Max.(Target design value),
Contact: 30mΩ Max. changed (Final), Shell: 50mΩ Max. Changed (Final);
 - b. Dielectric Withstanding Voltage: 150V AC (RMS) for 1 minute (Mated), 250V AC (RMS) for 1 minute (Unmated);
 - c. Insulation Resistance: 10MΩ Min. @ 150V DC (Mated), 100MΩ Min. @ 500V DC (Unmated);
4. Mechanical Performance:
 - a. Insertion force: 44.1N (4.5Kgf) Max.;
 - b. Withdrawal force: 4.9~25N (0.5~2.5Kgf);
 - c. Durability life: 5,000 Cycles;
5. IR Reflow: the peak temperature on board shall be maintained for 10 seconds at 260°C.



PIN	Signal Assignment
1	Hot Plug Detect
2	Utility
3	TMDS Data2+
4	TMDS Data2 Shield
5	TMDS Data2-
6	TMDS Data1+
7	TMDS Data1 Shield
8	TMDS Data1-
9	TMDS Data0+
10	TMDS Data0 Shield
11	TMDS Data0-
12	TMDS Clock+
13	TMDS Clock Shield
14	TMDS Clock-
15	CEC
16	DDC/CEC Ground
17	SCL
18	SDA
19	+5V Power

UNIT	mm	DRAWN	Kysin Qin	2016/08/20	深圳市连欣科技有限公司							
GENERAL TOLERANCE		CHK.			TITLE	HDMI Type D 19Pin, 板上型CH=1.55,双排SMT,外壳全插						
DISTANCE		APPD.				PART NO.	XDHF-1709-0617B					
X.	±0.30	MATERIAL	SEE NOTES		DWG. NO.		LXDF-DO2					
.X	±0.20	FINISH	SEE NOTES				SCALE	1:1	SIZE	A4	SHEET	1 of 2
.XX	±0.15	ANGLE										
.XXX	±0.10	X.	±2.0°			.X	±1.0°					

X1		PRELIMINARY	Kysin Qin		
REV.	ECN NO.	DESCRIPTION	DWG.	CHECK	APPR.