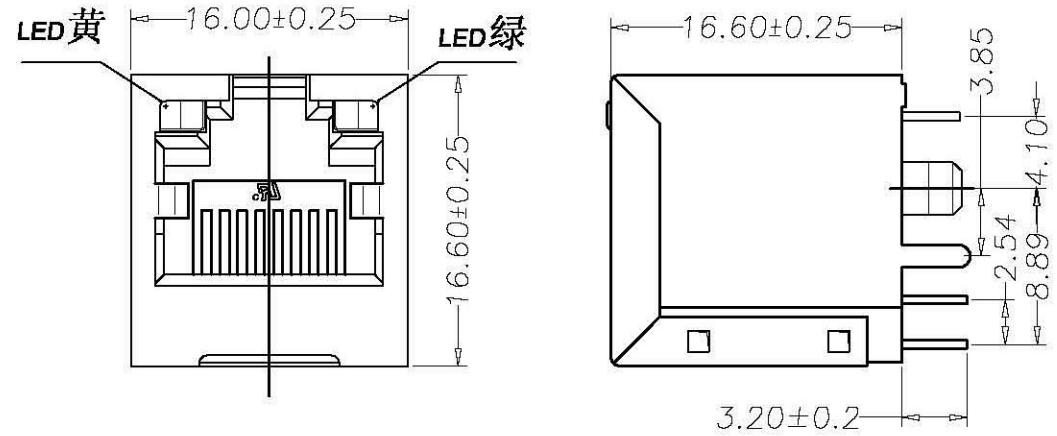


REVISION RECORD				
REV	ECD	DESCRIPTION	DRFT	CHKD



NOTES:

MATERIAL:

- 1.HOUSING MATERIAL :GLASS FILLED POLYESTER(UL94V-0).
- 2.CONTACT MATERIAL :PHOSPHOR BRONZE $\phi 0.46\text{mm}$ (C5100).
- 3.PLATING :GOLD PLATING OVER NICKEL.
- 4.SHIELD: COPPER ALLOY(OR STEEL ALLOY) 0.20mm THICKNESS PLATING NI.
- 5.LED: OPTION.

ELECTRICAL:

- 1.VOLTAGE RATING :125 VAC RMS.
- 2.CURRENT RATING :1.5 AMP.
- 3.CONTACT RESISTANCE :50 MILLIOHMS MAX.
- 4.INSULATION RESISTANCE :500 MEGOHMS MIN @ 500V DC.
- 5.DIELECTRIC WITHSTANDING RESISTANCE :1000V AC RMS 50Hz. 1MIN.
- 6.LED RATINGS:FORWARD VOLTAGE:2.2 VOLTS TYPICAL.
REVERSE VOLTAGE:5 VOLTS MAXIMUM.

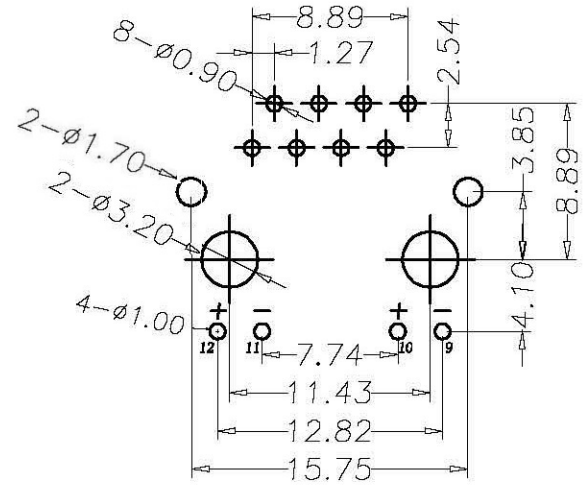
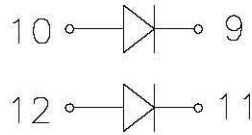
MECHANICAL:

- 1.DURRABILITY:750 CYCLES MIN.
- 2.PCB RETENTION PRE-SOLDER :1 LB MIN.

ENVIRONMENTAL:

- 1.STORAGE : -40°C TO $+85^{\circ}\text{C}$.
2. OPERATION 0°C TO 70°C .

MATES WITH MODULAR PLUG CONFORMING TO FCC PART 68,SUBPART F.



DETACHED LISTS	MM (INCH)		设计 ZHANG WEI 日期 14.03.10	 深圳市连欣科技有限公司
	一般公差 按		审核 日期	
	MM	±	批准 ZHANG KE 日期 14.03.10	
	.0 ± 0.20	±	材料: 材料	
	.00 ± 0.15	±	数量: 数量	
.000 ± 0.075	±	表面处理: 表面处理	图号: JR-52-008	
角度 ± 0.01°		比例: 比例	料号: XDRJ-5224-0081	共 X 页 第 Y 页
第三角视图		不按比例		