

Recommended PCB Layout
(Tolerance:±0.05)

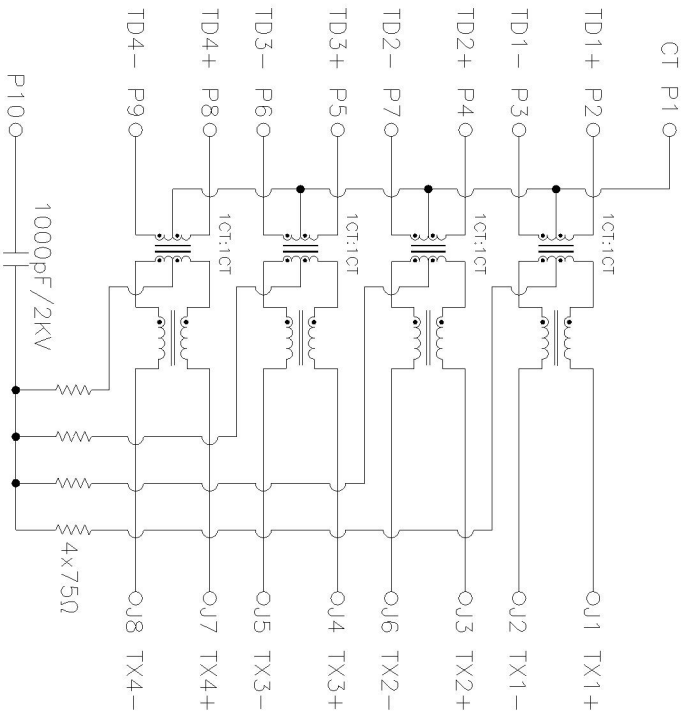
1. Material:
 - 1.1 Housing: PBT UL94V-0 Black.
Insert: PBT UL94V-0 Black.
 - 1.2 Shell: 30u" Ni Over Brass(C2680), T=0.20mm.
 - 1.3 RJ45 Terminal: Phosphor Bronze(C5191) T=0.35mm
Plating: 6u" Gold Plated On Contact Area,
80u" ~120u" Tin Plated On Solder Area,
50u" ~80u" Ni Underplated Overall.
 - 1.4 Tail Terminal: Brass(C2680) T=0.35mm,
Plating: 80u" ~120u" Tin Plated Over,
30u" ~50u" Ni Underplated Overall.
2. Environmental requirements:
 - 2.1 Lead-free process, compliant RoHS.

REV.	DESCRIPTION	DATE	DESIGN
A	New Design	2023.04.05	Jerry Li
A1	Update specification	2023.02.09	Jerry Li

UNITS: mm [inch]		DESIGN: Jerry	
TOLERANCE:		PART NAME:	
Unless Otherwise Specification Allowed: Tolerance Are :±0.25mm		R146 1x1 Dip Tab Down Giga Base With LED 6u" NS	
APPROVED: Mou		PART NO.: XDRJ-A1000M-M893	
SCALE: 1:1 SIZE: A4		DRAW NO.: LXRJ-M893-A1	
		SHEET NO.: 01 OF 02	

深圳市连欣科技有限公司

PCB CONNECTIONS

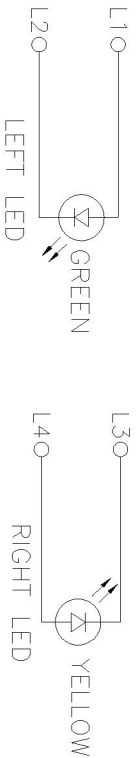


RJ45 CONNECTIONS

3. Electrical Specification @25°C:
 - 3.1 Inductance: 350uH Min With 8mA DC bias.
 - 3.2 Insertion loss :

1-100MHZ	-1dB max.
----------	-----------
 - 3.3 Return loss :

1-30MHZ	-18dB min.
30-60MHZ	-16dB min.
60-80MHZ	-12dB min.
80-100MHZ	-10dB min.
 - 3.4 Common Mode Rejection: 1-100MHZ -30dB min.
 - 3.5 Cross Talk: 1-100MHZ -30dB min.
4. Operating and Storage Temperature:
 - 4.1 Operating Temperature : 0°C to +70°C.
 - 4.2 Storage Temperature : -40°C to +85°C.
5. Wave soldering peak temperature: 260°C.

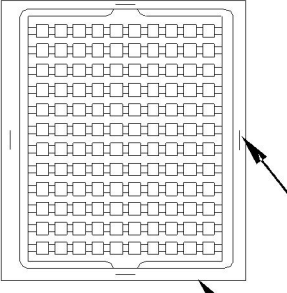


Emitting Color	λ_p (nm)	V_f @ $I_f=20mA$
Green	565	1.8-2.5V
YELLOW	585	1.8-2.5V

深圳市连欣科技有限公司

 UNIT: mm [inch]	DESIGN: Jerry
TOLERANCE:	PART NAME: RJ45 1x1 Dup Tab Down 6pin Base With LED 6u" NS
Unless Otherwise Specified Tolerance Are :±0.25mm	APPROVED: Jerry
SCALE: 1:1 SIZE: A4	DRAW NO.: XDRJ-A1000M-M893
APPROVED: Mou	SHEET NO.: 02 OF 02

1

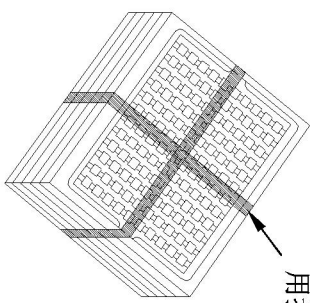


每吸塑盒放120PCS产品

图周用订书针订紧
吸塑盒

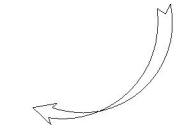


2



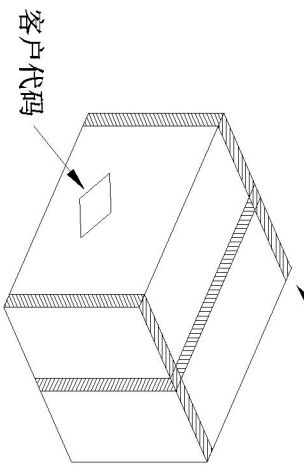
5吸塑盒为一叠

用拉伸膜“十”字型扎紧



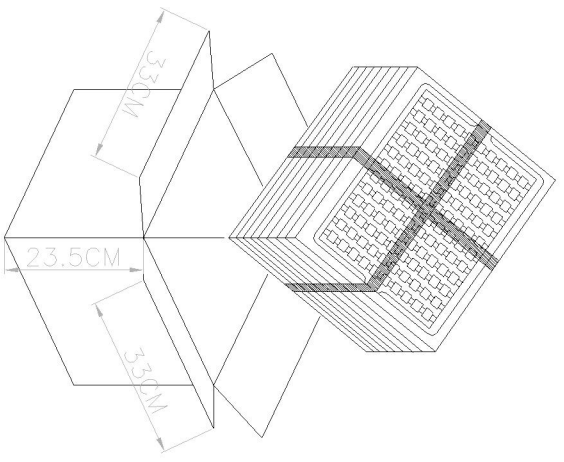
3

每箱放10盒吸塑盒，
(共10盒1200PCS产品)



4

封箱胶纸封箱



深圳市连欣科技有限公司

UNIT: mm [inch]		DESIGN: Jerry		PART NAME: R165 1x1 Dip Flash Down Green Base With LED 6u" NS	
TOLERANCE: Unless Otherwise Specification Allowed: Tolerance Are :±0.25mm		APPROVED: Mou		DRAW NO.: LXRJ-M893-A1	
SCALE:1:1 SIZE:A4		SHEET NO.: 02 OF 02		PART NO.: XDRJ-A1000M-M893	