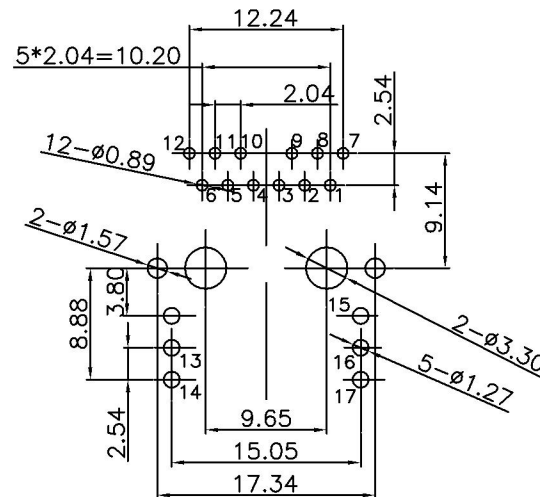
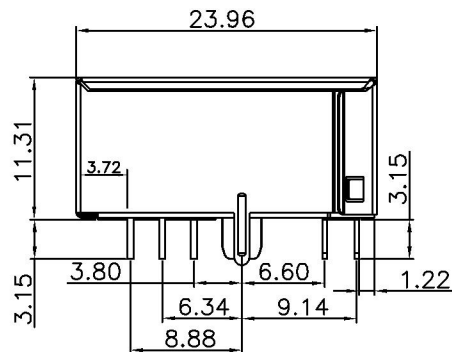
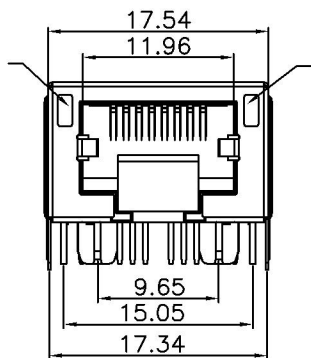
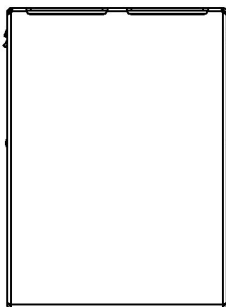
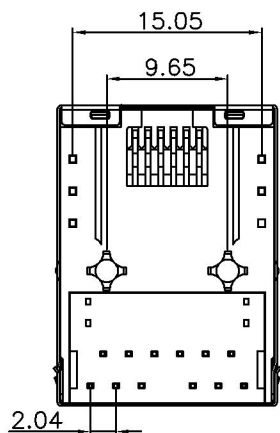


RoHS

REV.	ECN NO.	LOCATIONS	DESCRIPTION	DATE	DESIGN
A0	ECN20170509001	N/A	新版发行	2023.07.17	Jerry



Recommended PCB Layout
(Tolerance:±0.05)

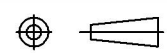


1.Material:

- 1.1 Housing: LCP UL94V-0 Black.
- 1.2 Shell: 30u" Ni Over Brass(C2680),T=0.20mm.
- 1.3 RJ45 Terminal:Phosphor Bronze(C5191) T=0.35mm
Plating:30u" Gold Plated On Contact Area,
80u" ~160u" Tin Plated On Solder Area,
50u" ~100u" Ni Underplated Overall.
- 1.4 Tail Terminal: Brass(C2680) T=0.35mm,
Plating: 80u" ~120u" Tin Plated Over,
30u" ~50u" Ni Underplated Overall.

2.Environmental requirements:

- 2.1 Lead-free process,compliant RoHS.



UNIT: mm [inch]

TOLERANCE:

- X.X ±0.35
- X.XX ±0.25
- X.XXX ±0.15
- Angle ±3.0°

SCALE:1:1 SIZE:A4

深圳市连欣科技有限公司

DESIGN: Jerry Li

CHECKED: Jerry Li

APPROVED: J Mou

PART NAME:
RJ45 1x1 Dip Tab Down
10G With LED 6u" NS

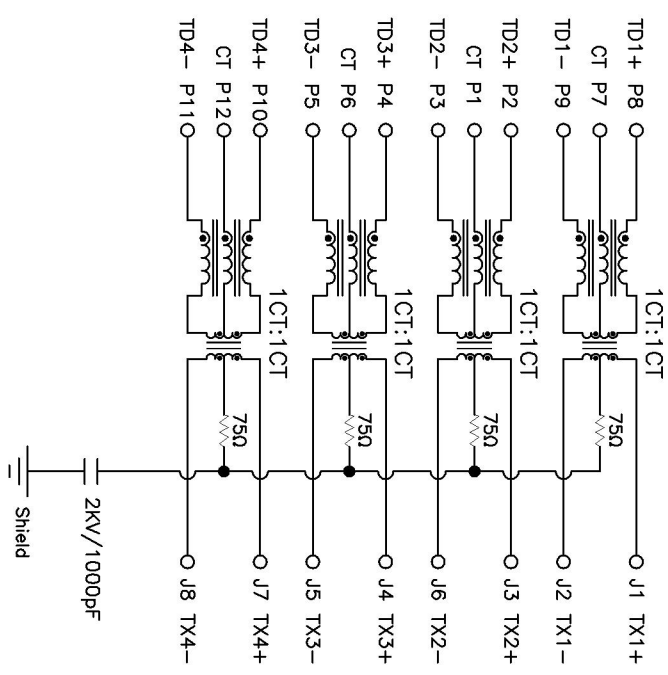
PART NO. XDRJ-A10000M-M1461

DRAW NO. LXRJ-M1461-A

SHEET NO. 01 OF 03

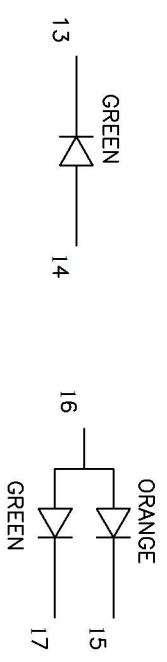
REV.	ECN NO.	LOCATIONS	DESCRIPTION	DATE	DESIGN
A0	ECN20170509001	N/A	新版发行	2023.07.17	Jerry

PC BOARD CONNECTIONS

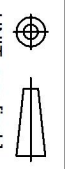


R45 CONNECTIONS

- Electrical Specification @25°C:
 - Inductance: 120uH Min With 8mA DC bias.
 - Insertion loss : 1-65MHz -0.5dB max, 65-125MHz -0.8dB max, 125-400MHz -1.7dB max, 400-500MHz -3.4dB max.
 - Return loss : 1-100MHz -22dB min, 100-200MHz -24+20.75*log(Freq MHz/100MHz) dB min, 300MHz -15, 400MHz -12, 500MHz -10
 - Common Mode Rejection: 1-100MHz -30dB min, 100-300MHz -25dB min, 300-500MHz -20dB min.
 - Cross Talk: 1-100MHz -42dB min, 100-500MHz -26dB min.
- Operating and Storage Temperature:
 - Operating Temperature : -40°C to +85°C.
 - Storage Temperature : -40°C to +85°C.
- Wave soldering peak temperature: 260°C.



Emitting Color	λp(nm)	Vf@If=20mA
Green	565	1.8-2.5V
YELLOW	585	1.8-2.5V

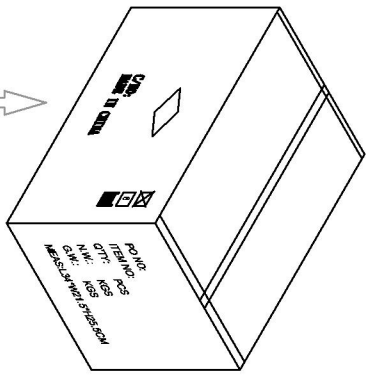
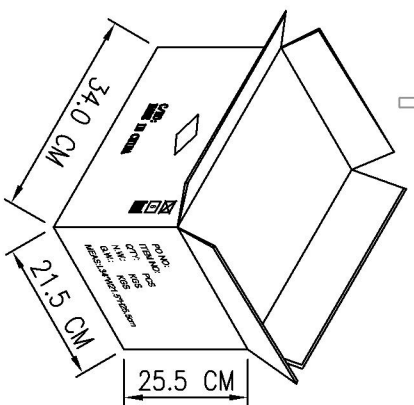
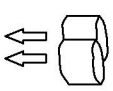
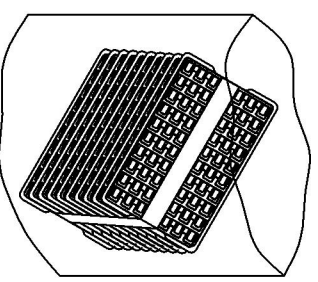
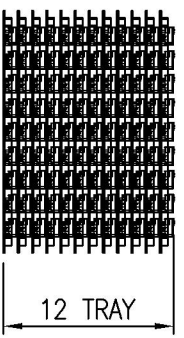
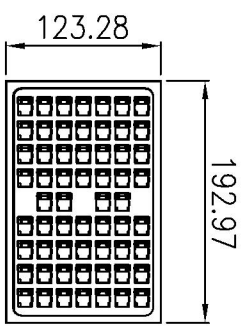
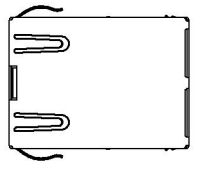


深圳市连欣科技有限公司

UNIT: mm [inch]	DESIGN: Jerry Li	PART NAME: R145 1x1 Dip Tab Down 10G With LED 6u" NS
TOLERANCE: X.X ±0.35	CHECKED: Jerry Li	PART NO. XDRJ-A110000M-M1461
X.XX ±0.25	APPROVED: J Mou	DRAWNO. LXRL-M1461-A
X.XXX ±0.15	SCALE: 1:1 SIZE: A4	SHEETNO. 01 OF 03
Angle ±3.0°		

RoHS

REV.	ECN NO.	LOCATIONS	DESCRIPTION	DATE	DESIGN
A0	ECN20170509001	N/A	新版发行	2023.07.17	Jerry



- NOTES:
1. PRIMARY PACKING: 60PCS/TRAY
 2. SECONDARY PACKING: 12TRAY/CARTON(720PCS/CARTON)
 3. CARTON SIZE: 340x215x255mm

深圳市连欣科技有限公司

UNIT: mm [Inch]		TOLERANCE:	
X.X ±0.35		X.XX ±0.25	
X.XXX ±0.15		Angle ±3.0°	
SCALE:1:1 SIZE:A4		SCALE:1:1 SIZE:A4	
DESIGN: Jerry Li		PART NAME: 包装规范	
CHECKED: Jerry Li		PART NO. XDRJ-A10000M-M1461	
APPROVED: J Mou		DRAWNO. LXRJ-M1461-A	
		SHEETNO. 01 OF 03	

1 2 3 4 5 6 7