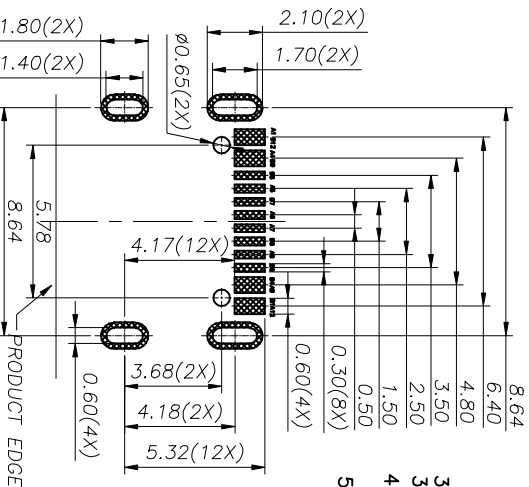
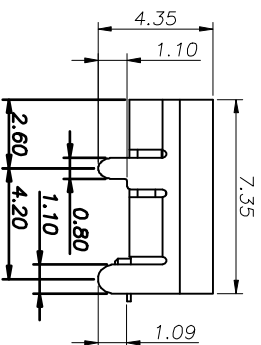
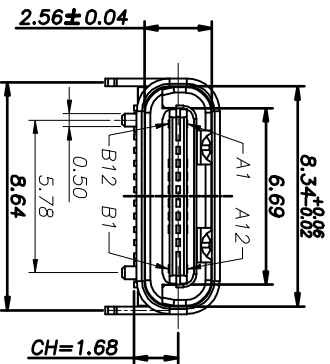
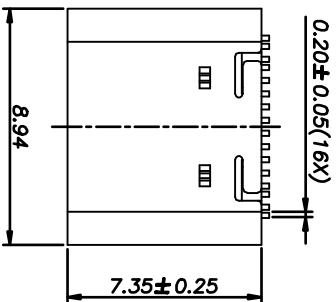


USB TYPE-C PIN ASSIGNMENTS

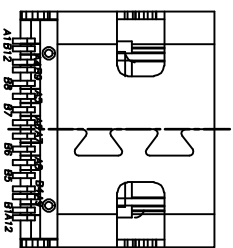
PIN NUMBER	SIGNAL NAME	PIN NUMBER	SIGNAL NAME
A1	GND	B12	GND
A4	VBUS	B9	VBUS
A5	CC1	B8	SBUS2
A6	Dp1	B7	Dn2
A7	Dn1	B6	Dp2
A8	SBUS1	B5	CC2
A9	VBUS	B4	VBUS
A12	GND	B1	GND

NOTE:

1. MATERIAL SPECIFICATION:
1. HOUSING: HIGH TEMPERATURE RESISTANT PLASTIC, UL94 V-0.
2. CONTACTS: COPPER ALLOY
4. FRONT SHELL: STAINLESS STEEL
2. MECHANICAL PERFORMANCE:
- 2-1. INSERTION FORCE: 0.5~2.0kgf.
- 2-2. REMOVAL FORCE: 0.8kgf~2.0kgf.
- 2-3. DURABILITY: 10000 CYCLES.
3. ELECTRICAL PERFORMANCE:
- 3-1. CURRENT RATING: 5.0A
- VOLTAGE RATING: 5.0V
- 3-2. LCR: VBUS & GND PINS AND OTHER PINS: 40mΩ/PIN MAX. SHIELD: 50mΩ/MAX. LCR MAX. CHANGE OF ALL PINS: 10mΩ.
- 3-3. INSULATION RESISTANCE: 100MΩ MIN
- 3-4. DIELECTRIC WITHSTAND VOLTAGE: AC 100V FOR 1 MINUTE.
4. ENVIRONMENTAL PERFORMANCE:
- OPERATING TEMPERATURE: -45℃~+85℃.
5. I.R. REFLOW: THE PEAK TEMPERATURE ON THE BOARD SHALL BE MAINTAINED FOR 10 SECONDS AT 260°C.



RECOMMENDED PCB LAYOUT(TOP VIEW)  
THICKNESS 0.80MM; DEFAULT TOLERANCE: ±0.05



Version	Engineer	Change No.	Change Description	Date	Approved by

P/N	LOGO	MYLAR	SHELL	CONTACT	SOLDER	PAKING	SHELL MATERIAL
USBC-202N02A00	W/O	W/O	NI	Fu" Au	Fu" Au	REEL	SUS

X.	±0.15	X.	±8°	产品名	Product Name
.X	±0.10	.X	±1.5°	USB TYPE C 18PIN (一体式)	
.XX	±0.05	.XX		物料编号: Material No.	XHBF-0336-0817B
.XXX	±0.02	.XXX		客户料号: Customer Item	

日期: Date	设计: Design	日期: Date	比例: Scale	日期: Date	比例: Scale
2018.06.18	ZXR				

深圳市连欣科技有限公司  
TEL: 0755-34410035 FAX: 0755-34410036

物料编号: XHBF-0336-0817B

客户料号: \_\_\_\_\_

日期: 2018.06.18

设计: ZXR

比例: \_\_\_\_\_

工程图号/Tool NO.: \_\_\_\_\_

日期: \_\_\_\_\_

比例: \_\_\_\_\_

页码: 1/1