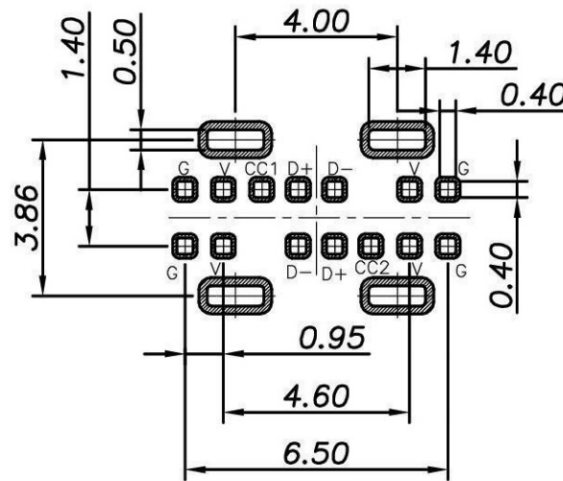
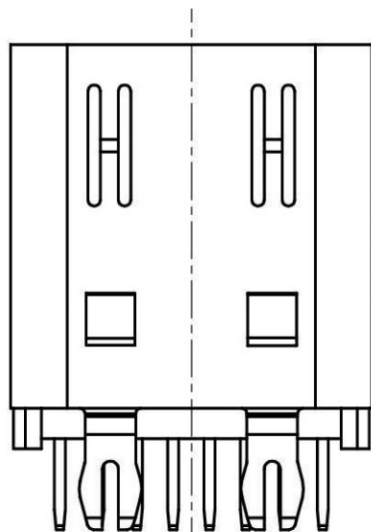
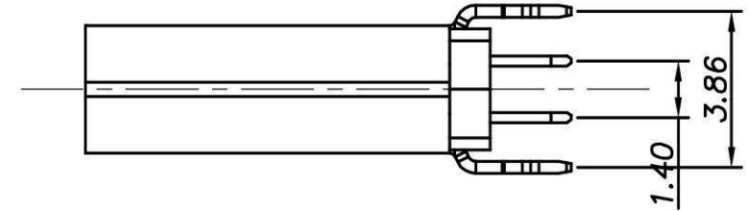
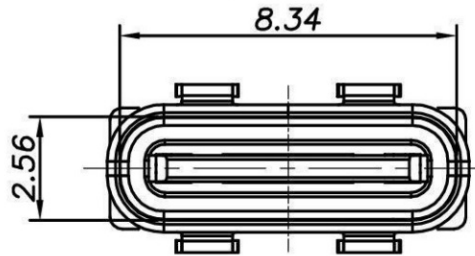
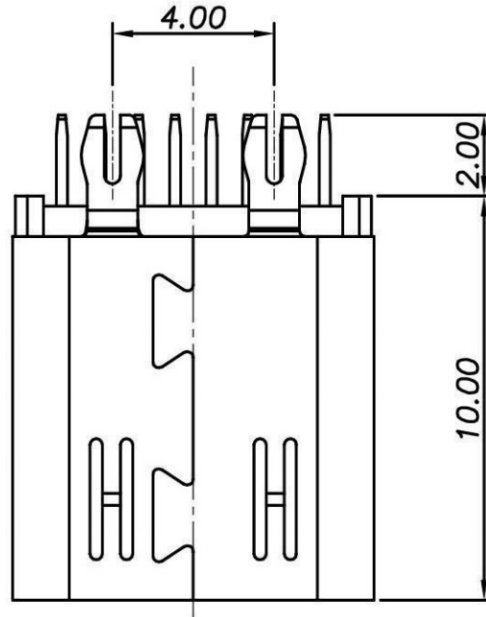
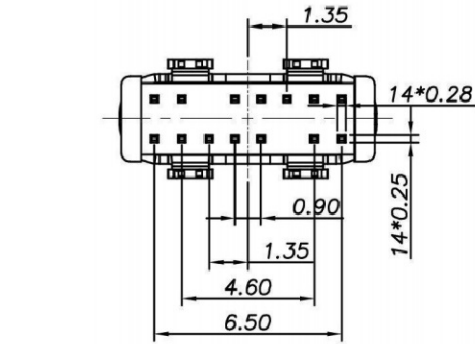


CUSTOMER DRAW

RoHS

NOTE:

1. MATERIAL SPECIFICATION:
 - 1.1.HOUSING:HIGH TEMPERATURE RESISTANT PLASTIC,UL94 V-0.
 - 1.2.CONTACTS:COPPER ALLOY
 - 1.3.MID PLATE: STAINLESS STEEL
 - 1.4.FRONT SHELL: STAINLESS STEEL
2. MECHANICAL PERFORMANCE,
 - 2.1.INSERTION FORCE: 5~20N.
 - 2.2.REMOVAL FORCE: 8~20N.
 - 2.3.DURABILITY: 10000 CYCLES.
3. ELECTRICAL PERFORMANCE,
 - 3.1. CURRENT RATING:5.0A
VOLTAGE RATING:20V
 - 3.2. LLCR:
VBUS & GND PINS AND OTHER PINS: 40mΩ/PIN MAX.
SHIELD: 50mΩ/MAX.
LLCR MAX. CHANGE OF ALL PINS: 10mΩ.
 - 3.3.INSULATION RESISTANCE: 100MΩ MIN
 - 3.4.DIELECTRIC WITHSTAND VOLTAGE,AC 100V FOR 1 MINUTE.
4. ENVIRONMENTAL PERFORMANCE:
 - OPERATING TEMPERATURE: -25°C~+85°C.
5. IR REFLOW:
 - THE PEAK TEMPERATURE ON THE BOARD SHALL BE MAINTAINED FOR 10 SECONDS AT 260°C.



RECOMMENDED P.C.B. LAYOUT
TOLERANCE UNSPECIFIED ±0.05mm

5	COVER	HIGH TEMPERATURE PLASTIC	BLACK	1PCS
4	SHELL	STAINLESS STEEL T=0.30	NI PLATED	1PCS
3	IRON HOUSING	HIGH TEMPERATURE PLASTIC	BLACK/NATURE	1PCS
2	SPRING	STAINLESS STEEL T=0.10	NI PLATED	1PCS
1	TERMINAL HOUSING	HIGH TEMPERATURE PLASTIC	BLACK/NATURE/GREEN	2PCS
NO.	DESCRIPTION	MATERIAL	REMARKS	QTY



深圳市连欣科技有限公司

DESCRIPTION		USB C TYPE F SMT 直立式 H10.0			
DRAWING NO		USBC-205N02A01	PART NO.	XUBF-0314-205N	
THIRD ANGLE PROJECTION	REVISION	A	UNIT	MM	DRAWN
	LINEAR	ANGLE	SCALE	N/A	CHECKED
		X. ±0.50 X.X ±0.38 X.XX ±0.25	X. ±5° X.X ±2° X.XX ±1°	SHEET	1/1