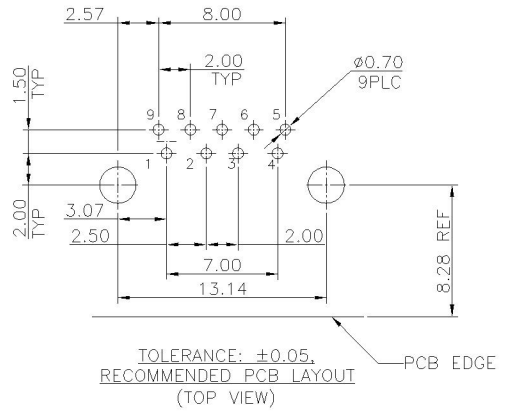
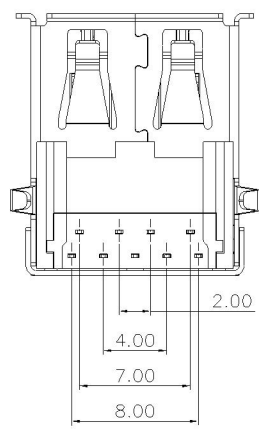
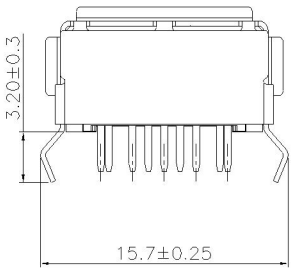
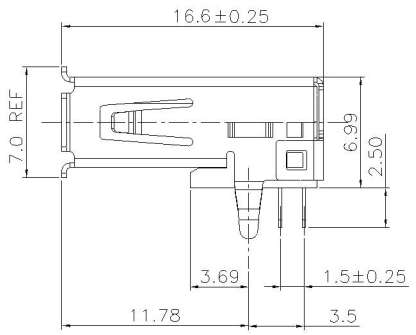
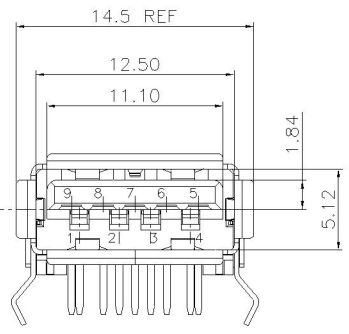
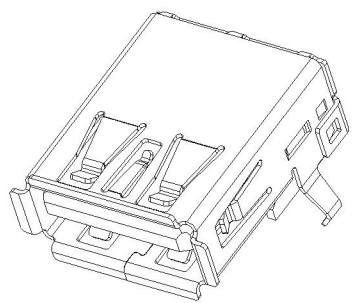
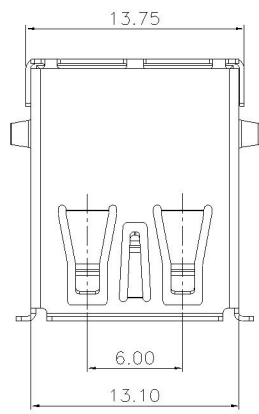


REV.	ECN NO.	DR	DATE
00	NEW	Carlyle	07-Oct-14

NOTE:  
 1. SPECIFICATIONS:  
 1. CONTACT CURRENT RATING:  
 1.8 AMPERES FOR PIN1&PIN4.  
 0.25 AMPERES OTHER CONTACTS  
 2. DIELECTRIC WITHSTANDING VOLTAGE: AC 100V(RMS)  
 3. INSULATION RESISTANCE: 100MΩ MIN.  
 4. CONTACT RESISTANCE:  
 30mΩ MAX FOR PIN1&PIN4  
 50mΩ MAX FOR OTHER CONTACTS  
 5. MECHANICAL CHARACTERISTICS:  
 MATING FORCE: 35KG. MAX  
 UNMATING FORCE: 10KG. MIN  
 6. OPERATING TEMPERATURE: -55°C+85°C  
 7. MATERIAL:  
 HOUSING: LCP WITH 30% GF, UL 94V-0, BLACK COLOR.  
 CONTACTS: COPPER ALLOY.  
 SHELL: COPPER ALLOY.  
 8. FINISH:  
 CONTACTS: GOLD FLASH PLATED ON CONTACT AREA, [100M"] MIN.  
 BRIGHT-TIN ON SOLDER TAIL, WITH ENTIRE CONTACT  
 UNDERPLATED [50M"] MIN.. NICKEL.  
 SHELL: [50M"] MIN. NICKEL UNDERPLATING OVER ALL.



PIN NO.	PIN 1	PIN 2	PIN 3	PIN 4
SLGNL NAME	V BUS	D-	D+	GND
REMARK	USB 2.0 CONTACT PINS			

PIN NO.	PIN 5	PIN 6	PIN 7	PIN 8	PIN 9
SLGNL NAME	STDA_SSRX-	STDA_SSRX+	GND_DRAIN	STDA_SSTX-	STDA_SSTX+
REMARK	USB 3.0 CONTACT PINS				

TOLERANCE UNLESS OTHERWISE SPECIFIED		THIRD ANGLE PROJECTION
LINER	ANGLES	
.0 ± 0.25	0. ± 2°	DRAWING BY & DATE Carlyle 07-Oct-14
.00 ± 0.2	.0 ± 1°	CHECKED BY & DATE
.000 ± 0.10	.00 ± .5°	APPROVED BY & DATE
PRODUCT FAMILY: USB 3.0 FEMALE		

**深圳市连欣科技有限公司**

DWG NO.: UF-C023-01      PART NO.: XUSF-0901-0413

TITLE: USB 3.0, A TYPE, R/A,DIP,外壳弯脚有卷边.

SIZE	UNIT	SCALE	SHEET	REV.
A4	MM	1 : 1	1 OF 1	1