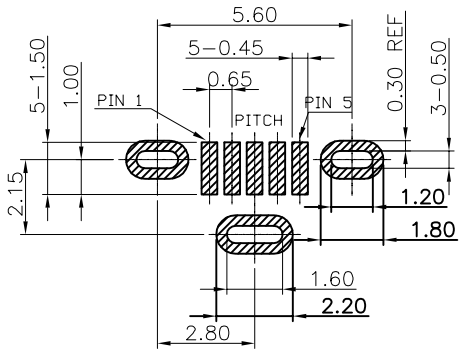
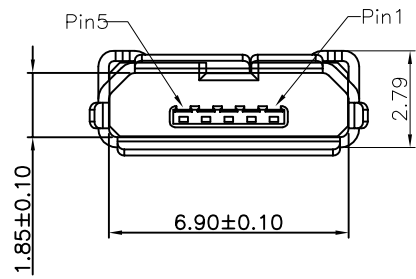
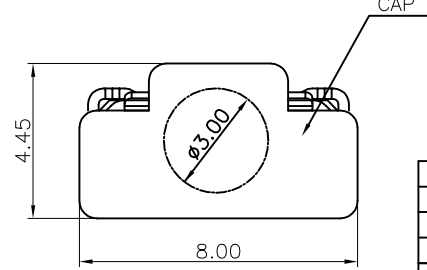
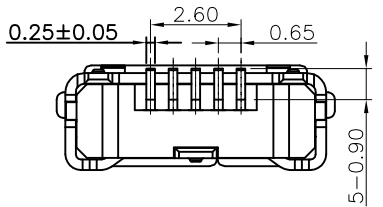
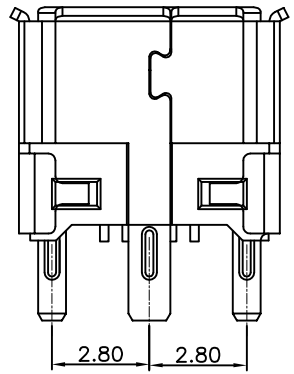
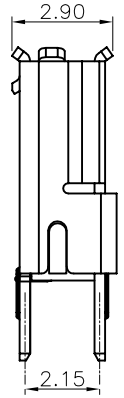
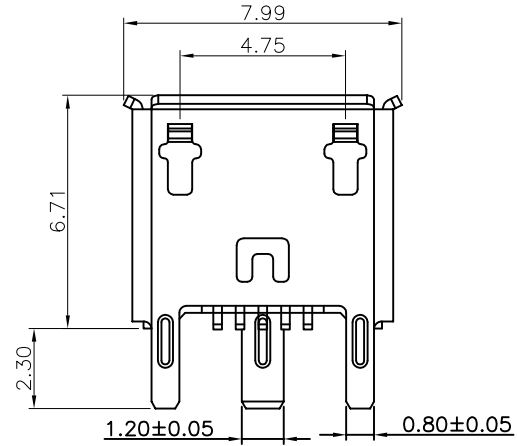


NO.	ECN NO.	DESCRIPTION	REV.	DRAW	DATE
1		NEW	A0	LZW	20210508
2					
3					



RECOMMEND PCB LAYOUT(THICKNESS=1.6mm)
TOLERANCE: ±0.05

- MATERIAL SPECIFICATION:
 - HOUSING: HIGH TEMPERATURE THERMOPLASTIC; UL94 V-0 LCP BLACK.
 - CONTACTS: PHOSPHOR BRONZE C5191 T=0.20mm.
 - SHELL: SUS201 T=0.25mm.
- PLATING SPECIFICATION:
 - CONTACTS: Ni 50u" MIN. UNDER PLATED OVERALL. Au(SEE PART NOTE)MIN PLATED ON THE FUNCTIONAL AREA OF CONTACT AND SOLDER AREA.
 - SHELL: Ni 30u" MIN. PLATED OVERALL.
- MECHANICAL PERFORMANCE,
 - INSERTION FORCE: 3.5kgf MAX
 - REMOVAL FORCE: 1.0kgf MIN
 - DURABILITY: 10000 CYCLES.REMOVAL FORCE 0.8kgf MIN
- ELECTRICAL PERFORMANCE,
 - INSULATION RESISTANCE: 100MΩ MIN
 - DIELECTRIC WITHSTAND VOLTAGE,AC 100V FOR 1 MINUTE.
 - LOW LEVEL CONTACT RESISTANCE 30mΩ Max.
 - CURRENT RATING: PIN1/PIN5: 1.8A, OTHER PINS 0.5A. VOLTAGE RATING: 30V
- OPERATING TEMPERATURE: -40°TO+85°
- LINE WITH ROHS2.0, REACH, MEET THE HALOGEN-FREE
- IR REFLOW: THE PEAK TEMPERATURE ON THE BOARD SHALL BE MAINTAINED FOR 10 SECONDS AT 260±5°C.



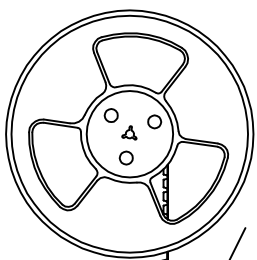
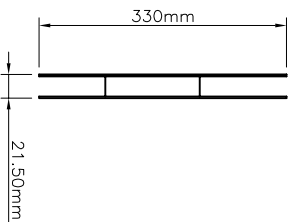
PIN	Signal Name
PIN 5	GND
PIN 4	ID
PIN 3	D+
PIN 2	D-
PIN 1	VBUS
Contact Number	Signal Name

未注公差 TOLERANCE UNLESS OTHERWISE SPECIFIED	X	±0.45
	.X	±0.35
	.XX	±0.25
	X*	±1°

比例 SCALE	1:1	角法 PROJ.	设计 DESIGN	品名 TITLE	USB-MICRO 5PIN 立贴 三定位脚
张数 SHEET	1/1	大小 SIZE	A4	校对 CHECKED	料号 ITEM NO. XUDF-0418-023
单位 UNIT	mm	版本 REV.	A0	核准 APPROVED	图号 DWG NO. LX-USB-023

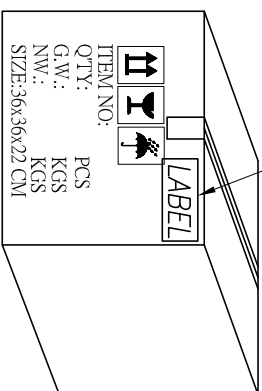
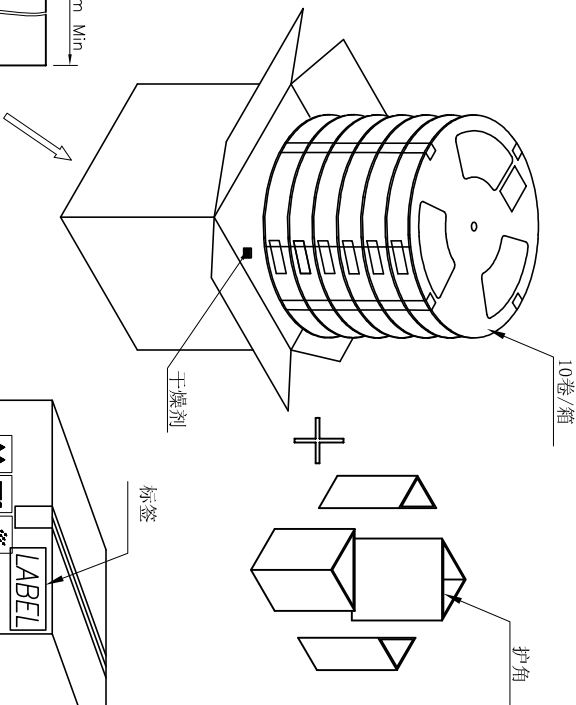
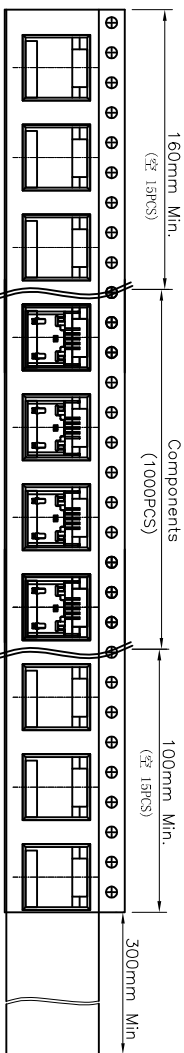
深圳市连欣科技有限公司

COVER TAPE
 PEELING ANGLE:165#180°
 PEELING FORCE:20~130g

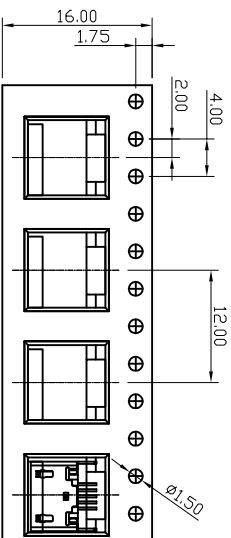


PEAKING DIRECTION
 USER DIRECTION

NO.	ECN NO.	DESCRIPTION	REV.	DRAW	DATE
1					
2					
3					



纸箱规格:360x360x220mm



CONNECTOR QTY(PCS)	REEL	CARTON
1000		10000

深圳市连欣科技有限公司

公差 TOLERANCE	公差 TOLERANCE	公差 TOLERANCE	公差 TOLERANCE	公差 TOLERANCE
±0.45	±0.35	±0.25	±0.25	±0.25
比例 SCALE	1:1	角法 PROL.	±3°	设计 DESIGN
张数 SHEET	1/1	大小 SIZE	A4	校对 CHECKED
单位 UNIT	mm	版本 REV.	A0	核准 APPROVED

品名 TITLE: USB-MICRO SPIN 立贴 三定位脚
 料号 ITEM NO.: XUDF-0418-023
 图号 DWG NO.: LX-USB-023