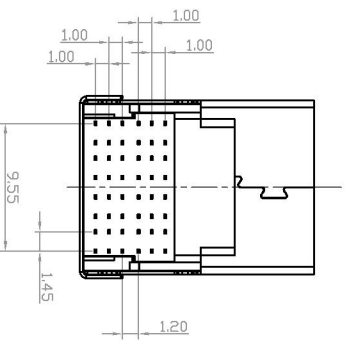
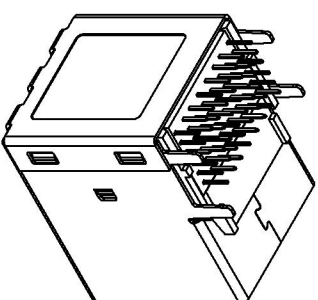
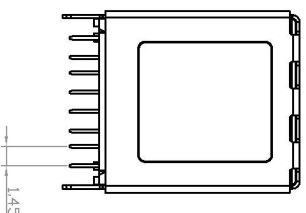
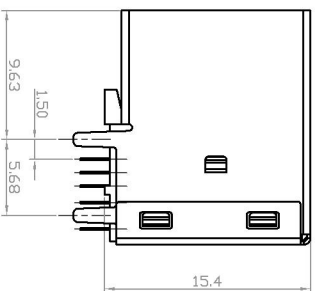
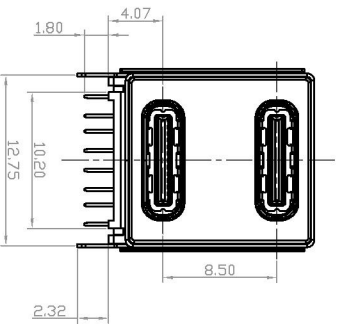


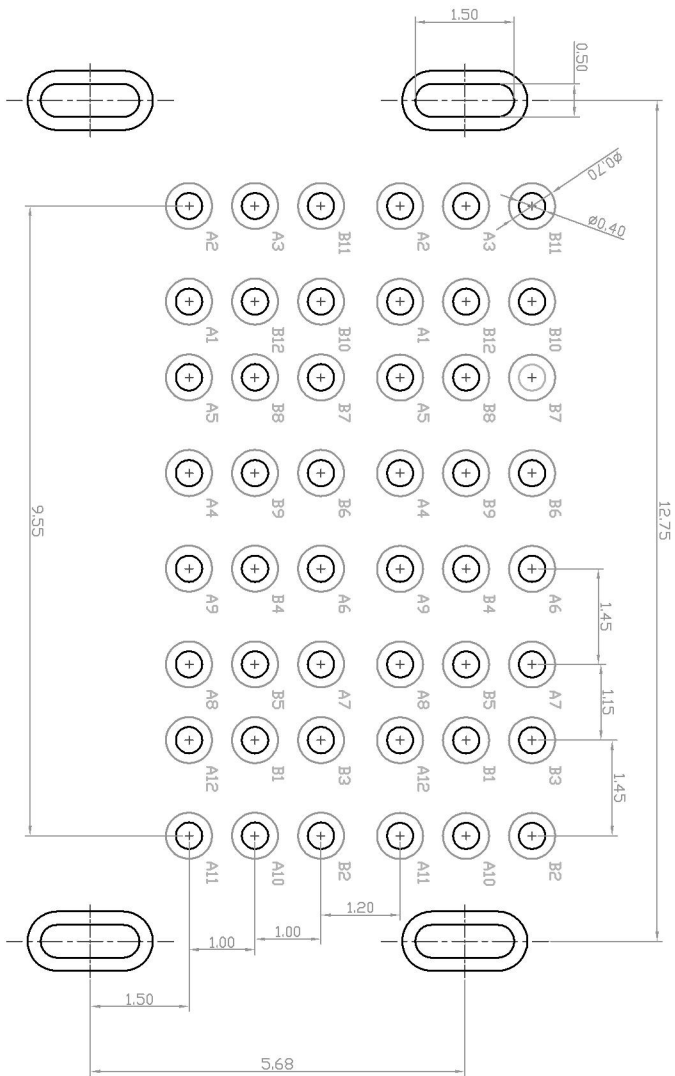
- NOTES:
1. HOUSING: LCP, UL 94V-0, COLOR- BLUE (PANTONE 300C) OR BLACK
 2. BOTTOM COVER: LCP, UL 94V-0,COLOR- BLUE (PANTONE 300C) OR BLACK
 3. CONTACT: USB3 C2680-H T=0.25mm ; USB2 C5191-H T=0.25mm
30μ" MIN. GOLDPLATED ON CONTACT AREA, 120μ" MIN. MATTE TIN
PLATED ON SOLDERING TAIL,80μ" MIN. NICKEL UNDER-PLATED OVERALL
 4. FRONT SHELL: SUS304-1/2H, T=0.25mm, 30μ" MIN. NICKEL PLATED OVER ALL,
100μ" MIN. MATTE TIN PLATED ON SOLDERING TAIL,
 5. MIDDLE SHELL: SUS304-1/2H, T=0.25mm,
 6. REAR SHELL: SUS304-1/2H, T=0.20mm,
 7. THIS PRODUCT DOESN'T CONTAIN ENVIRONMENTAL HAZARDOUS
PER DIRECTIVE 2011/65/EU FOR RoHS COMPLIANT. OR PER IEC
61249-2-21 FOR HALOGEN-FREE COMPLIANT.



深圳市连欣科技有限公司

| | | | | | |
|---------------|----------------------|---------------|--------------|-----------------------|-----------------|
| 品名 (ITEM NO) | TYPE C 24P 板上双层24+24 | 图号 (DWG NO) | | 单位 (UNIT): | MM |
| 料号 (PART NO) | XUBF-0336-24B02 | 版本 (REV) | A/0 | 比例 (SCALE) | 1:1 |
| 型号 (MODEL NO) | N/A | 日期 (DATE) | 2015. 06. 09 | 公差 | 未注公差 |
| | | 设计 (DESIGN) | | TOLERANCE UNSPECIFIED | |
| | | 审核 (CHECKED) | ~ | X.X | ±0.30 |
| | | 核准 (APPROVED) | | X.XX | ±0.20 |
| | | | | X.XXX | ±0.10 |
| | | | | X.X ⁰ | ±5 ⁰ |
| | | | | X.X ⁰⁰ | ±2 ⁰ |

USB TYPE-C FULL-FEATURED RECEPTACLE INTERFACE PIN ASSIGNMENTS

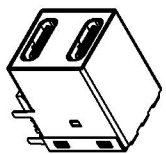


RECOMMENDED PCB LAYOUT(TOP VIEW)
(DEFAULT TOLERANCE:±0.05)

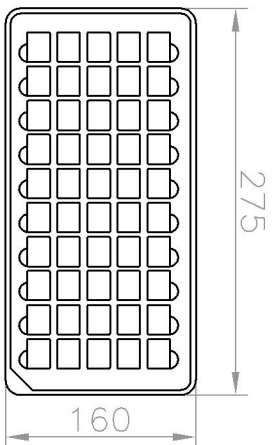
| Pin | Signal Name | Description | Pin | Signal Name | Description |
|-----|-------------|---|-----|-------------|---|
| A1 | GND | Ground return | B12 | GND | Ground return |
| A2 | SSTxp1 | Positive half of first SuperSpeed TX differential pair | B11 | SSRxp1 | Positive half of first SuperSpeed RX differential pair |
| A3 | SSTxnl | Negative half of first SuperSpeed TX differential pair | B10 | SSRxn1 | Negative half of first SuperSpeed RX differential pair |
| A4 | Vias | Bus Power | B9 | Vias | Bus Power |
| A5 | CC1 | Configuration Channel | B8 | SBR02 | Sideband Use (SBR0) |
| A6 | Dp1 | Positive half of the USB 2.0 differential pair-Position 1 | B7 | Dn2 | Negative half of the USB 2.0 differential pair-Position 2 |
| A7 | Dn1 | Negative half of the USB 2.0 differential pair-Position 1 | B6 | Dp2 | Positive half of the USB 2.0 differential pair-Position 2 |
| A8 | SBR01 | Sideband Use (SBR0) | B5 | CC2 | Configuration Channel |
| A9 | Vias | Bus Power | B4 | Vias | Bus Power |
| A10 | SSRxp2 | Negative half of second SuperSpeed RX differential pair | B3 | SSTxn2 | Negative half of second SuperSpeed TX differential pair |
| A11 | SSRxp2 | Positive half of second SuperSpeed RX differential pair | B2 | SSTxp2 | Positive half of second SuperSpeed TX differential pair |
| A12 | GND | Ground return | B1 | GND | Ground return |

深圳市连欣科技有限公司

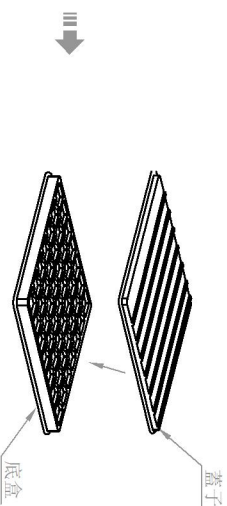
| | | | | |
|---------------|----------------------|---------------|------------|---|
| 品名 (ITEM NO) | TYPE C 24P 板上双层24+24 | 图号 (DWG NO) | | 单位 (UNIT) : MM |
| 料号 (PART NO) | XUBF-0336-24B02 | 版本 (REV) | A/0 | 比例 (SCALE) 1:1 |
| 型号 (MODEL NO) | N/A | 日期 (DATE) | 2015.06.09 | 未注公差 TOLERANCE UNSPECIFIED X.X ±0.30 X.XX ±0.20 X.XXX ±0.10 X.X ^o ±5° X.X ^o ±2° |
| | | 设计 (DESIGN) | | |
| | | 审核 (CHECKED) | ~ | |
| | | 核准 (APPROVED) | | |



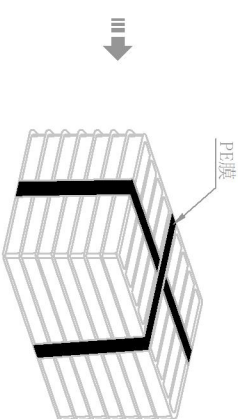
產品



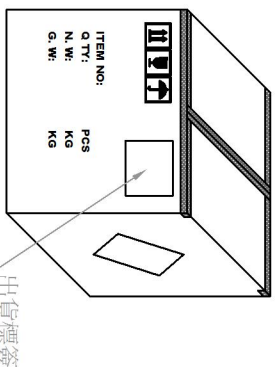
1、將產品整齊擺放脆盤中，共50PCS.



2、裝滿一盤產品後，將蓋子蓋上。

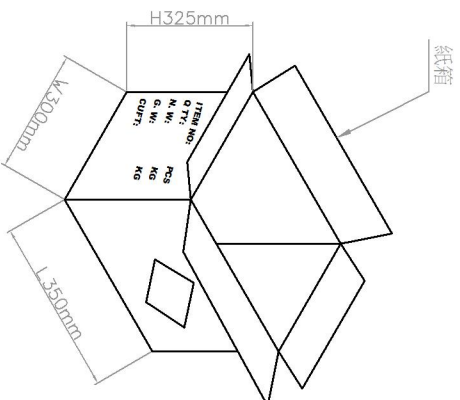


3、將裝滿產品的脆盤疊放14層；然後用打包膜捆綁（共700PCS）。

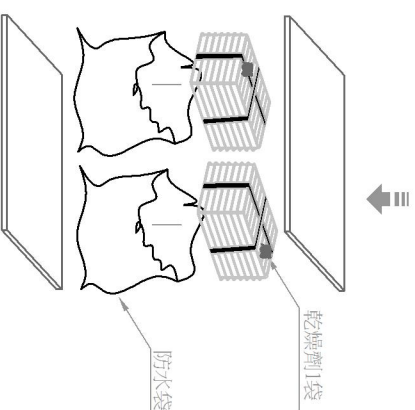


1400PCS/1?

6、用膠紙工字型封住紙箱，一共1400PCS產品。



5、將產品2捆並排放入紙箱，上下各放一紙板。



4、將每14層捆綁好的產品裝入一個防水袋，加入一袋干燥劑。

作業步驟：

- 1、將產品整齊放入脆盤中，共50PCS，再蓋上蓋子。
- 2、將裝滿50PCS產品的脆盤疊放14盤，用打包膜捆綁。
- 3、將捆綁好的產品放入防水袋中，再放入1袋干燥劑，膠帶封口（共700PCS）。
- 4、在紙箱底先放一個紙板，然後將捆好的產品並排放入紙箱，頂層再放一個紙板。
- 5、合上紙箱後，再用膠帶工字型將紙箱封口，整箱共1400PCS產品。
- 6、貼上出貨標籤，如有零數箱需做標識。
- 7、紙箱材質尺寸：K=K 350*300*325mm（內徑）
脆盤材質尺寸：PS防静电 275*160*14.5mm

深圳市连欣科技有限公司

| | |
|---------------|----------------------|
| 品名 (ITEM NO) | TYPE C 24P 板上双层24+24 |
| 料号 (PART NO) | XUBF-0336-24B02 |
| 型号 (MODEL NO) | N/A |

| | | |
|---------------|------------|--|
| 图号 (DWG NO) | | 单位 (UNIT) : MM |
| 版本 (REV) | A/0 | 比例 (SCALE) 1:1 |
| 日期 (DATE) | 2015.06.09 | 未注公差 TOLERANCE UNSPECIFIED X.X ±0.30 X.XX ±0.20 X.XXX ±0.10 X.X [±] ±0.05 X.X ^{±2} |
| 设计 (DESIGN) | | |
| 审核 (CHECKED) | ~ | |
| 核准 (APPROVED) | | |