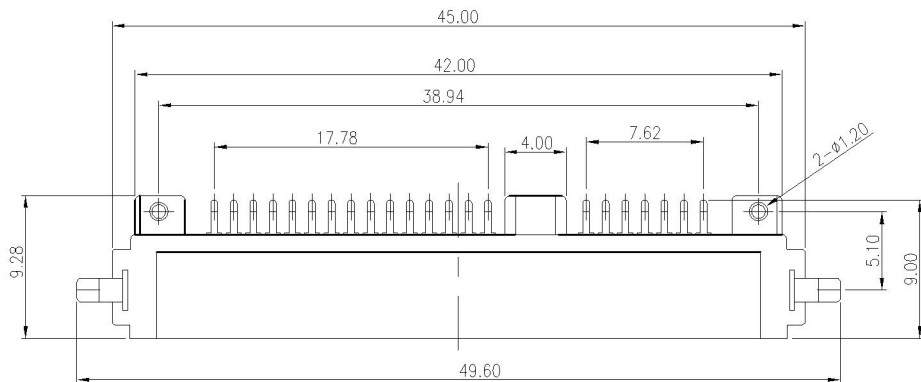


客户图

REV.	ECN NO.	DESCRIPTION	DRAW	CHECK	APPD.	DATE
A0	N/A	NEW	DEAN.SHEN	\	JASON	2014.10.20



SPECIFICATION:

1.MATERIAL:

HOUSING: LCP E130I 30% G/F UL 94V-0

COLOR:BLACK

CONTACT: PHOSPHOR BRASS C2680 H,T=0.30mm

PEG: BRASS C2680R H,T=0.25mm

2.FINISH:

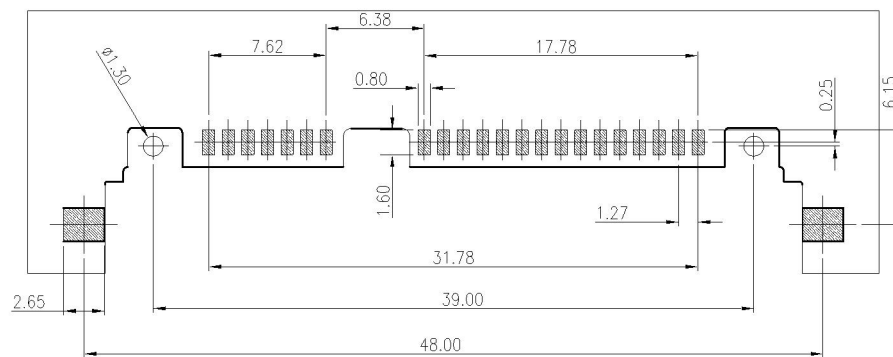
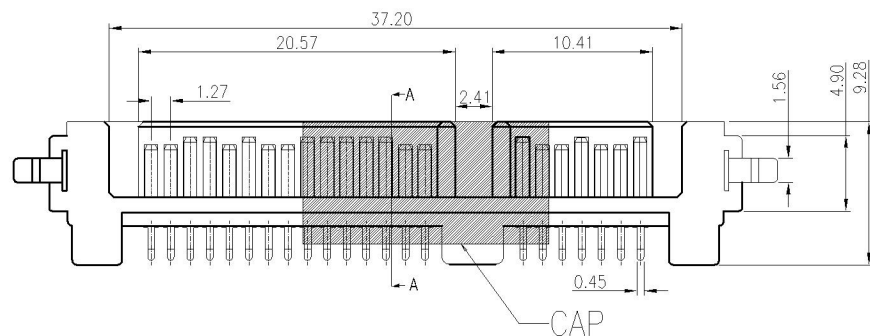
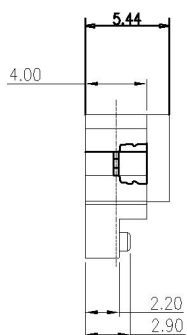
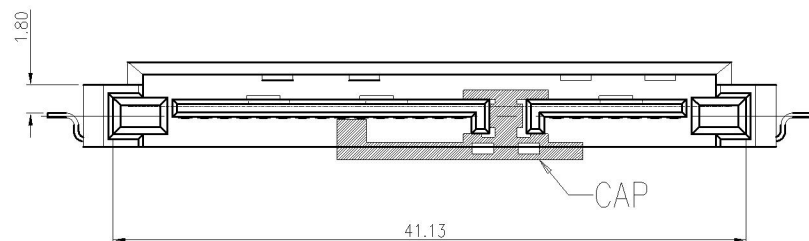
CONTACT:1U" GOLD/TIN PLATING ON CONTACT AREA

80u" MIN. TIN-LEAD PLATING ON SOLDERTAILS

50u" MIN.NICKEL UNDERPLATING OVER ALL

PEG:100u" MIN. TIN-LEAD PLATING ON SOLDERTAILS

50u" MIN.NICKEL UNDERPLATING OVER ALL



PCB LAYOUT

深圳市连欣科技有限公司

QUALITY SYMBOLS	GENERAL TOLERANCES (UNLESS SPECIFIED)
▽0	MM
▽0	INCH

GENERAL TOLERANCES (UNLESS SPECIFIED)		DRAFT WHERE APPLICABLE	
.X	±0.35	.X	±----
.XX	±0.25	.XX	±----
.XXX	±0.15	.XXX	±----
ANGULAR ±1°		MUST REMAIN WITHIN DIMENSIONS	

DRAWN BY DATE	Dean Oct.20.2014
CHECKED BY DATE	
APPROVED BY DATE	

TITLE:	
SATA 7+15 沉板 板上2.2MM SMT	
THIRD ANGLE PROJECTION	PART NO. XUTS-2210-2261
CUSTOMER COPY	DWG NO. SHEET NO. 1/1