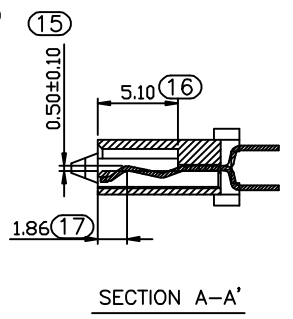
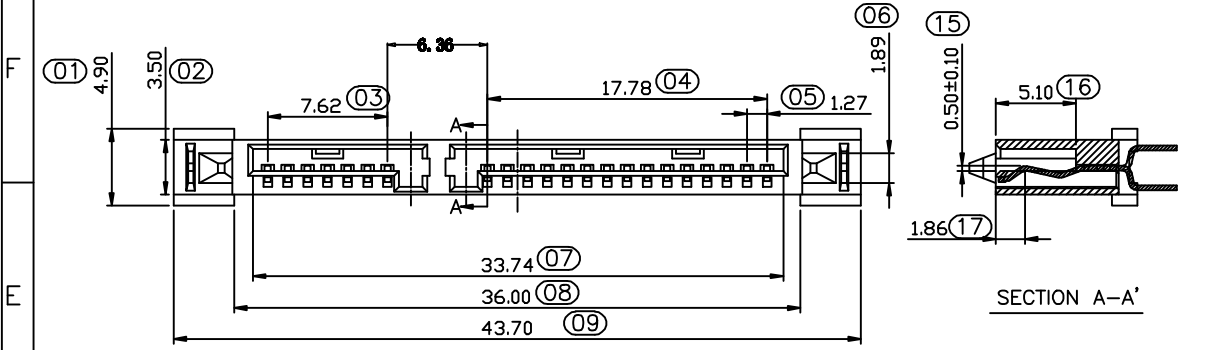
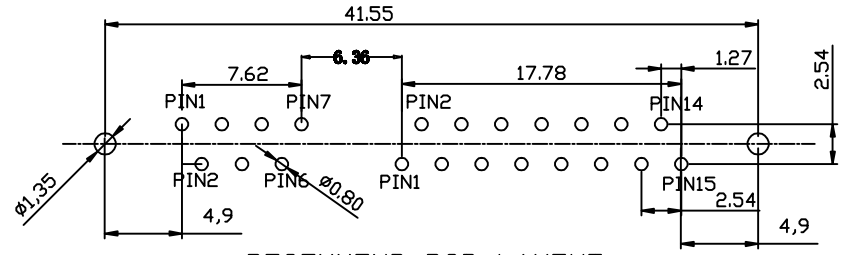
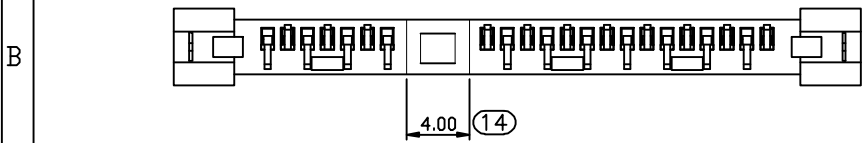
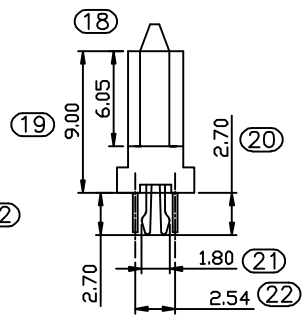
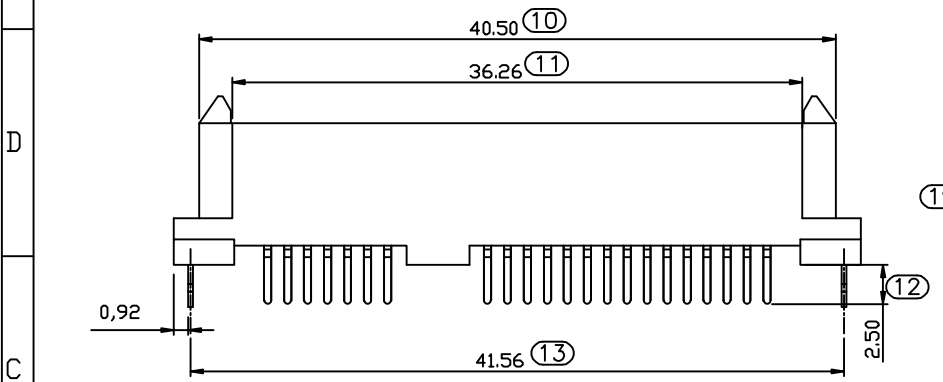


REV.	ECN NO.	DESCRIPTION	DRAW	CHECK	APPD.	DATE
A0	N/A	NEW	DEAN.SHEN	\	JASON	2014.10.20



SPECIFICATION:  
 MATERIAL:  
 HOUSING: LCP 30% G/F UL 94V-0  
 COLOR:BLACK  
 CONTACT: PHOSPHOR BRONZE C5191R H,T=0.30mm  
 PEG: BRASS C2680R H,T=0.30mm  
 FINISH:  
 CONTACT:1u" GOLD/TIN PLATING ON CONTACT AREA  
 100u"MIN. TIN-LEAD PLATING ON SOLDER TAILS  
 50u" MIN.NICKEL UNDERPLATING OVER ALL  
 PEG:100u" MIN. TIN-LEAD PLATING ON SOLDER TAILS  
 50u" MIN.NICKEL UNDERPLATING OVER ALL



RECOMMEND PCB LAYOUT  
 PCB TOLERANCE:±0.05

深圳市连欣科技有限公司

QUALITY SYMBOLS	GENERAL TOLERANCES (UNLESS SPECIFIED)				DRAFT WHERE APPLICABLE MUST REMAIN WITHIN DIMENSIONS
		MM		INCH	
	.X	±0.35	.X	±	
▼	.XX	±0.25	.XX	±	ANGULAR ±1°
▽	.XXX	±0.15	.XXX	±	

DRAWN BY DATE	Dean Oct.20.2014
CHECKED BY DATE	
APPROVED BY DATE	

TITLE: <b>SATA 7+15P母座</b> <b>Reverse180度双排DIP</b>	
THIRD ANGLE PROJECTION	CUSTOMER COPY
PART NO. <b>XUTS-2218-03</b>	SHEET NO. 1/1