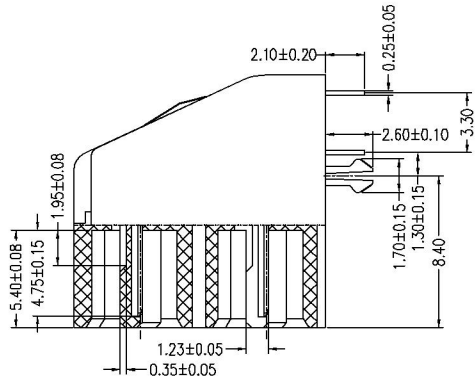
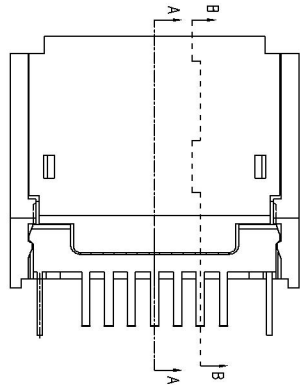
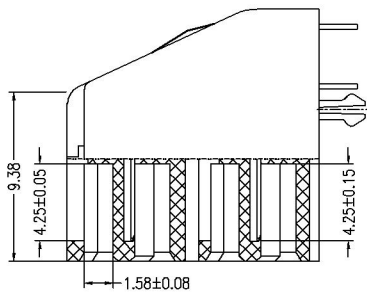
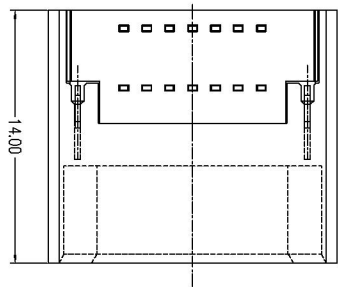


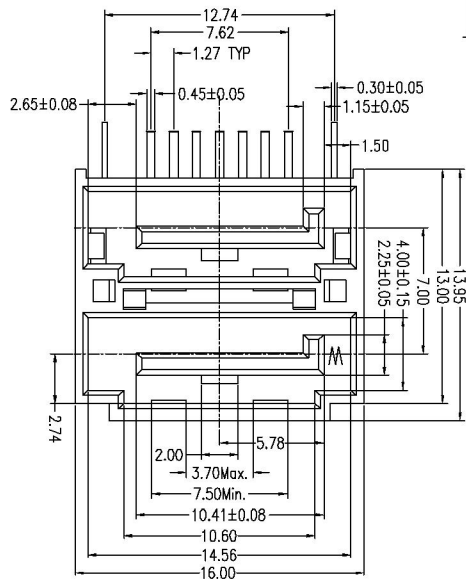
REV.		ECN.NO.	DATE
A		RELEASED	03/13-'13



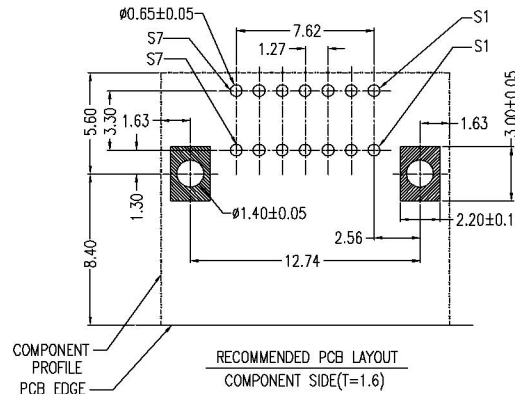
SECT A-A



SECT B-B



Signal Segment	
Name	Type
S1	GND
S2	A+
S3	A-
S4	GND
S5	B-
S6	B+
S7	GND



**NOTES:**

**\*Material**

Housing: Nylon66+30%G.F, UL 94V-0 Rated, Color:Black.  
 Contact: Brass.  
 Plating: Au plating on contact area,Sn(100u" Min.)plating on solder tail, Ni(40u" Min.)underplating overall.  
 Harpoon: Brass.  
 Plating: Sn(100u" Min.)plating over Ni(40u" Min.).

**\*Electrical Specification**

Operation Voltage: 100V AC Max.  
 Current Rating: 1.5 Ampere per contact.  
 Contact Resistance: 30mΩ Max.  
 Insulation Resistance: 1000MΩ Min.  
 Dielectric Withstanding Voltage: 500V AC.

**\*Mechanical Performance**

Insertion Force: 45N Max.  
 Withdrawal Force: 10N Min.  
 Durability: 500 Cycles.

**\*Environmental**

Operating Temperature: -55°C to +85°C.

REV		Units		mm	Scale	1:1	Drawing By		Date	深圳市连欣科技有限公司		
		Tolerance Unless		Otherwise Specified		Andy		03/13-'13				
		.X		±0.38		Reviewed By		Date	Date	03/13-'13	Title	SATA 7P 公座 双层 90度 DIP
		.XX		±0.25		Candy		03/13-'13	Sheet	1 of 1		
		.XXX		±0.20		Approval By		Date	Third Angle Projection		PART NO.	XUTS-0722-2070
		Angle		± 3°		JACK		03/14-'13	REV			