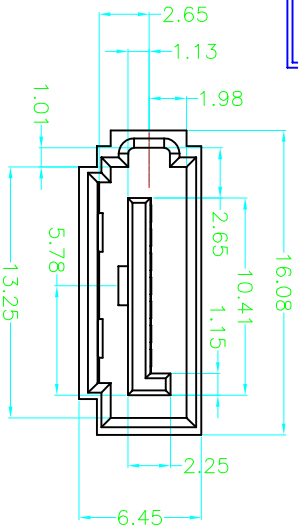
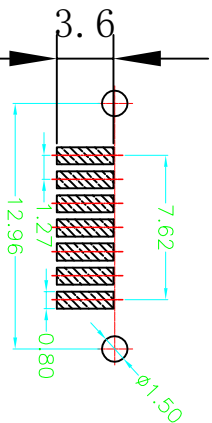


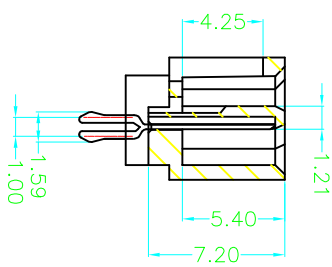
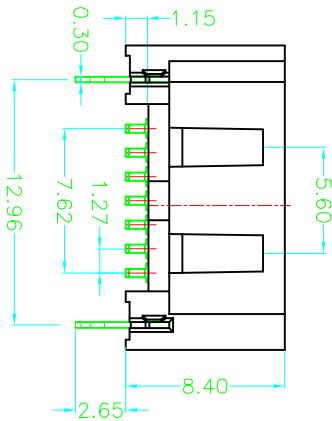
客戶版



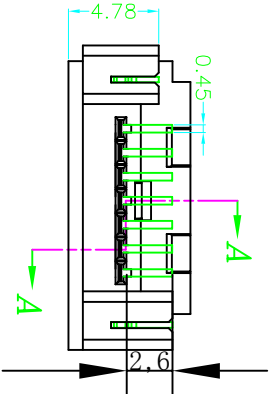
建議PCB LAYOUT



SPEC:
 Current Rating: 3amps
 Insulator Resistance: 5000m Ω Min
 Dielectric Withstanding: AC 500V
 Operating Temperature: -40° to+105°
 Contact Material: Copper alloy T=0.25
 Insulator Material: Polyester, UL 94V-0 LCP
 Finish :
 Gold/tin plating on contact area
 100u" min. Tin-lead Plating on soldertails
 50u" min. nickel under plating over all tin,
 Max. Processing Temp:
 230C° for 30-60seconds (260C° for 10 seconds)



SECTION A-A



ITEM	PART NO.	PART NAME	Q'TY	Material
1	PS00490610	CONTACT	7	C2680-H,GOLD 1U"
2	PP0093BK10	HOUSING	1	LCP+30%GF,BLACK
3	PP0093BK10	鱼叉	2	C2680R-H,TIN 100U"

QUALITY SYMBOLS	GENERAL TOLERANCES (UNLESS SPECIFIED)	DRAFT WHERE APP LICABLE
∇_0	MM X ± 0.35 XX ± 0.25 XXX ± 0.15	WITHIN DIMENSIONS
∇_0	INCH X \pm XX \pm XXX \pm	MUST REMAIN WITHIN DIMENSIONS

DRAWN BY DATE Dean Oct.20.2019	TITLE: SATA 7P 公座, 全包开窗口, A型 CONN PLUG
CHECKED BY DATE	THIRD ANGLE PROJECTION
APPROVED BY DATE	CUSTOMER COPY PART NO. XJTS-0762-0263B DWG NO.

深圳市连欣科技有限公司

8 7 6 5 4 3 2 1